

NOTES:UNLESS OTHERWISE SPECIFIED
THIS IS A CAD GENERATED DRAWING,DO NOT REVISE MANUALLY

REVISION HISTORY					
ZONE	REV	DESCRIPTION	E.C.O.NO	DATE	APPROVED
	1	ENGINEERING RELEASE			

LRD-1001

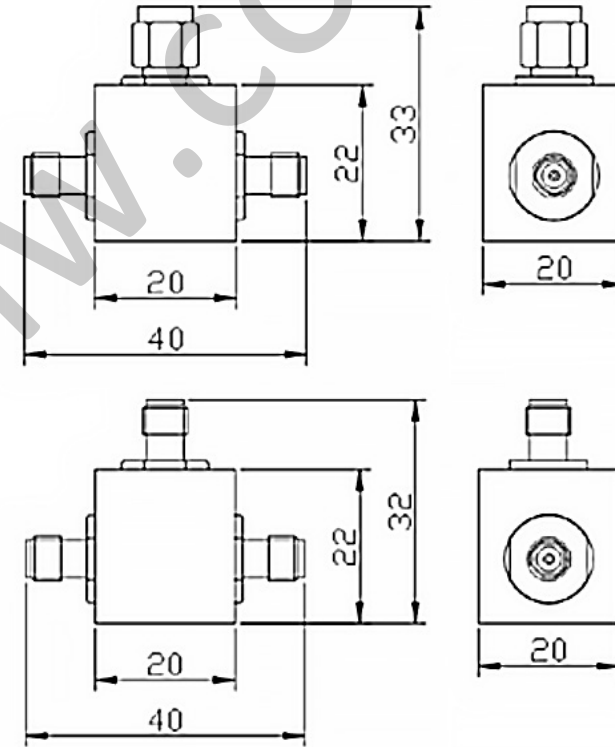
DC – 6 GHz 2路电阻功分器 2 Way Resistor Power Divider

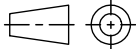

—电气技术参数 Electrical Specifications—

频率范围 Frequency Range:	DC – 6GHz
隔离度 Isolation:	/
插入损耗 Insertion Loss :	6.0dB
相位平衡 Phase Balance:	±5°(Max)
幅度平衡 Amplitude Balance:	±0.4dB(Max)
驻波 VSWR:	1.35:1(Max)
峰值功率 Peak Power:	1KW(Peak)
最大输入功率Maximum Input Power:	1W(CW)
工作温度 Operation Temperature:	-55 ~ +125°C

—机械技术参数 Mechanical Specifications—

输入连接器 Input Interface:	SMA-M
输出连接器 Output Interface:	SMA-F (输入端输出端可互换)
尺寸 Size (excluding connectors):	40x20x32mm
重量 Weight:	75g



UNLESS OTHERWISE SPECIFIED DIMENSIONS ARE MILLIMETER TOLERANCES ARE: DECIMALS ANGLES FRACTIONS .XX±0.03 ±1' ±2/5 .XXX±0.012			 www.lairmw.com sales@lairmw.com	P/N: LRD-1001	
	Approvals	DATE		DC – 6 GHz 2路功分器 2 Way Resistor Power Divider	
HOLE DIAMETER .35 TO 3.20 3.21 TO 6.35 6.36 TO 12.70 12.71 TO 19.05 19.06 TO 25.40 25.41 TO 50.80	TOLERANCES +.05/- .02 +.10/- .03 +.15/- .03 +.20/- .03 +.25/- .03 +.30/- .03	DRWN	ENG	CHK	Q.A.
		SCALE	A3	CAGE NO	DWG NO.
		SCALE	3:2	UNIT	mm
				SHEET 1 OF 1	REV 1