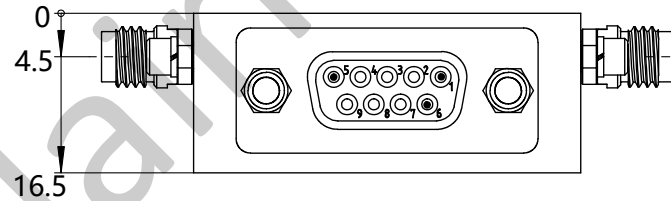
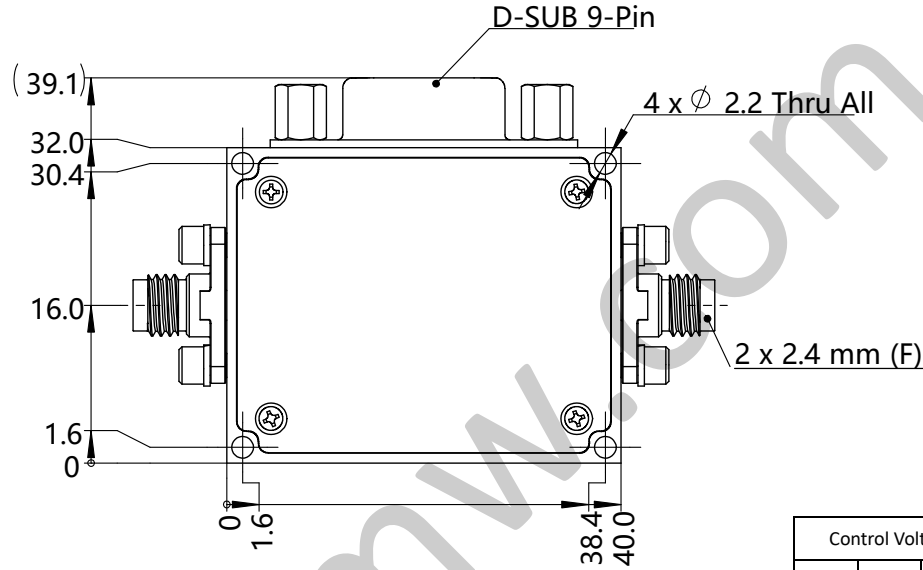
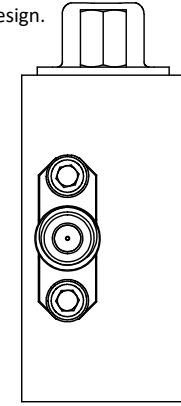


NOTES:UNLESS OTHERWISE SPECIFIED  
THIS IS A CAD GENERATED DRAWING,DO NOT REVISE MANUALLY

REVISION HISTORY					
ZONE	REV	DESCRIPTION	E.C.O.NO	DATE	APPROVED
	1	ENGINEERING RELEASE			

Notes:  
1.For reference only.  
2.This is not the final design. The vender remain the right of changing design.



## LPS-1001

37 – 42 GHz 数控移相器 6 Bit Digital Control Phase Shifter

### —电气技术参数 Electrical Specifications—

频率范围 Frequency Range:	37 – 42 GHz
均方根相位误差 RMS Phase Error:	3°(Typ.)
相位覆盖 Phase Coverage:	0 - 360°
插入损耗 Insertion Loss:	3dB(Typ.)
输入回波损耗 Input Return Loss:	12dB(Typ.)
输出回波损耗 Output Return Loss:	12dB(Typ.)
控制电压 Control Voltage:	0/5 V
控制位 Bit Count:	6 Bit
切换速度 Switching Speed:	100ns(Max.)
直流偏置电压 DC Supply Voltage:	+12~+15V
直流偏置电流 DC Supply Current:	100mA(Typ.)
工作温度 Operation Temperature:	-40 ~ +85°C
存储温度 Storage Temperature:	-65 ~ +125 °C

### —机械技术参数 Mechanical Specifications—

输入连接器 Input Interface:	2.4mm-F
输出连接器 Output Interface:	2.4mm-F
直流&控制连接器 DC&Control Interface:	D-SUB 9-Pin
尺寸 Size (excluding connectors):	40x32x16.5mm
重量 Weight:	45g

Control Voltage Input "0": 0V / "1": 5V						Phase-Shift
C1	C2	C3	C4	C5	C6	RFin-RFout
0	0	0	0	0	0	Reference
1	0	0	0	0	0	5.625°
0	1	0	0	0	0	11.25°
0	0	1	0	0	0	22.5°
0	0	0	1	0	0	45°
0	0	0	0	1	0	90°
0	0	0	0	0	1	180°

D-SUB 9-Pin Definition									
Pin	1	2	3	4	5	6	7	8	9
Description	+12~15V	GND	C1	C2	C3	C4	C5	C6	N/A

UNLESS OTHERWISE SPECIFIED DIMENSIONS ARE MILLIMETER TOLERANCES ARE: DECIMALS ANGLES FRACTIONS .XX±0.03 ±1' ±2/5 .XXX±0.012				P/N: LPS-1001			
		www.lairmw.com sales@lairmw.com		37-42GHz 数控移相器 6 Bit Digital Control Phase Shifter			
HOLE DIAMETER .35 TO 3.20 3.21 TO 6.35 6.36 TO 12.70 12.71 TO 19.05 19.06 TO 25.40 25.41 TO 50.80	TOLERANCES +.05/- .02 +.10/- .03 +.15/- .03 +.20/- .03 +.25/- .03 +.30/- .03	Approvals DRWN ENG CHK Q.A.	DATE 24/9/23	SIZE A3	CAGE NO UNIT mm	DWG NO. SHEET 1 OF 1	REV 1