

NOTES:UNLESS OTHERWISE SPECIFIED
THIS IS A CAD GENERATED DRAWING,DO NOT REVISE MANUALLY

REVISION HISTORY					
ZONE	REV	DESCRIPTION	E.C.O.NO	DATE	APPROVED
	1	ENGINEERING RELEASE			

LPL-1001

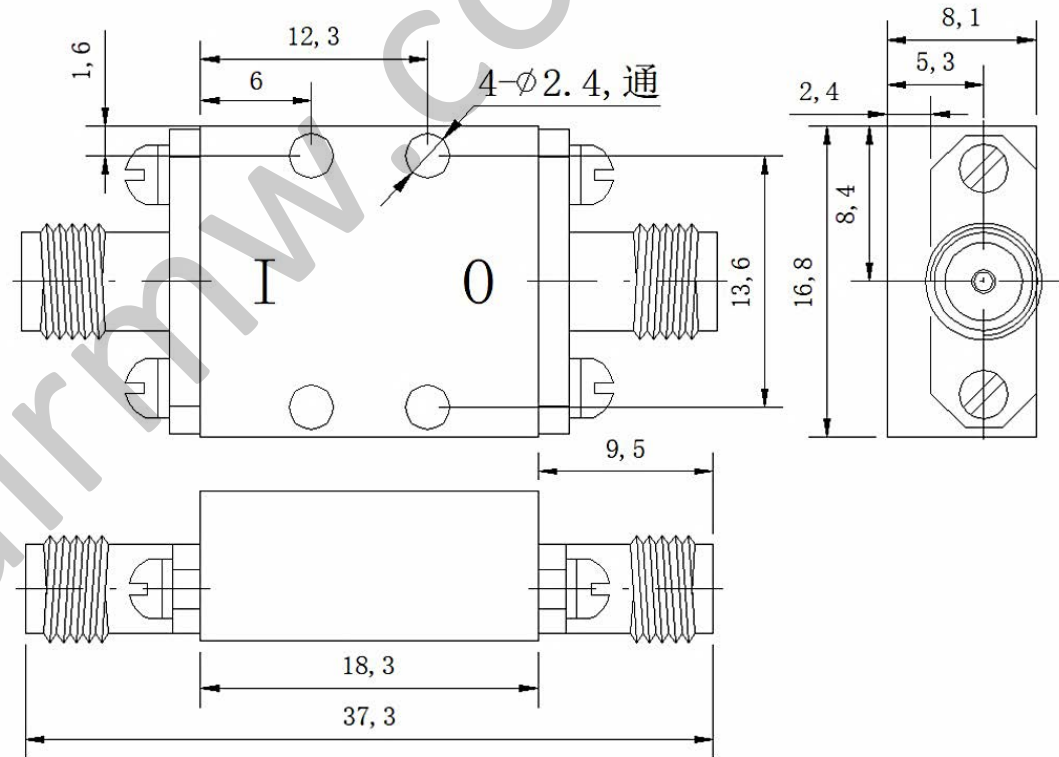
1 – 800 MHz 限幅器 RF Power Limiter

—电气技术参数 Electrical Specifications—

频率范围 Frequency Range:	1 – 800 MHz
插入损耗 Insertion Loss:	0.1dB(Typ.),0.2dB(Max)
限幅电平Clipping Level:	16dBm(Typ.)
P-0.1dB:	13dBm(Min)
输出IP3 Output IP3:	20dBm(Max)
输入驻波 Input VSWR:	1.1(Typ.),1.2(Max)
输出驻波 Output VSWR:	1.1(Typ.),1.2(Max)
最大输入功率 Maximum Input Power :	33dBm
阻抗 Impedance:	50 Ohms
工作温度 Operation Temperature:	-40 ~ +85°C
存储温度 Storage Temperature:	-55 ~ +125 °C

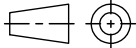


—机械技术参数 Mechanical Specifications—

输入连接器 Input Interface:	SMA-F
输出连接器 Output Interface:	SMA-F
尺寸 Size(Excluding Connectors):	18.3x16.8x8.1mm
重量 Weight:	20g



Notes:

- 1.The Products has directivity,and the input and output cannot be reversed, otherwise it will permanently fail.
2. The products has no DC isolation,if voltage is introduced,please add DC block to avoid device damage.

UNLESS OTHERWISE SPECIFIED DIMENSIONS ARE MILLIMETER TOLERANCES ARE: DECIMALS ANGLES FRACTIONS .XX±0.03 ±1' ±2/5 .XXX±0.012						 www.lairmw.com sales@lairmw.com		P/N: LPL-1001																							
<table border="1"> <tr> <td>DRWN</td> <td>DATE</td> </tr> <tr> <td>ENG</td> <td></td> </tr> <tr> <td>CHK</td> <td></td> </tr> <tr> <td>Q.A.</td> <td></td> </tr> </table>		DRWN	DATE	ENG		CHK		Q.A.		<table border="1"> <tr> <td colspan="2">1-800MHz 限幅器 RF Power Limiter</td> </tr> <tr> <td>SIZE</td> <td>REV</td> </tr> <tr> <td>A3</td> <td>1</td> </tr> </table>		1-800MHz 限幅器 RF Power Limiter		SIZE	REV	A3	1	<table border="1"> <tr> <td>CAGE NO</td> <td>DWG NO.</td> </tr> <tr> <td></td> <td></td> </tr> </table>		CAGE NO	DWG NO.			<table border="1"> <tr> <td>SCALE</td> <td>UNIT</td> <td>SHEET</td> </tr> <tr> <td>3:2</td> <td>mm</td> <td>1 OF 1</td> </tr> </table>		SCALE	UNIT	SHEET	3:2	mm	1 OF 1
DRWN	DATE																														
ENG																															
CHK																															
Q.A.																															
1-800MHz 限幅器 RF Power Limiter																															
SIZE	REV																														
A3	1																														
CAGE NO	DWG NO.																														
SCALE	UNIT	SHEET																													
3:2	mm	1 OF 1																													