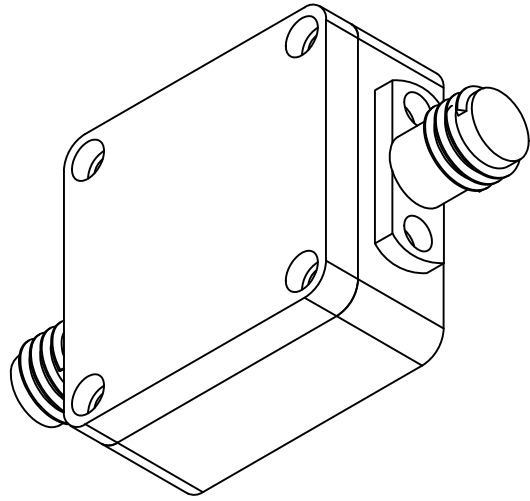


NOTES: UNLESS OTHERWISE SPECIFIED
THIS IS A CAD GENERATED DRAWING, DO NOT REVISE MANUALLY

REVISION HISTORY					
ZONE	REV	DESCRIPTION	E.C.O.NO	DATE	APPROVED
	1	ENGINEERING RELEASE			



LPL-0001

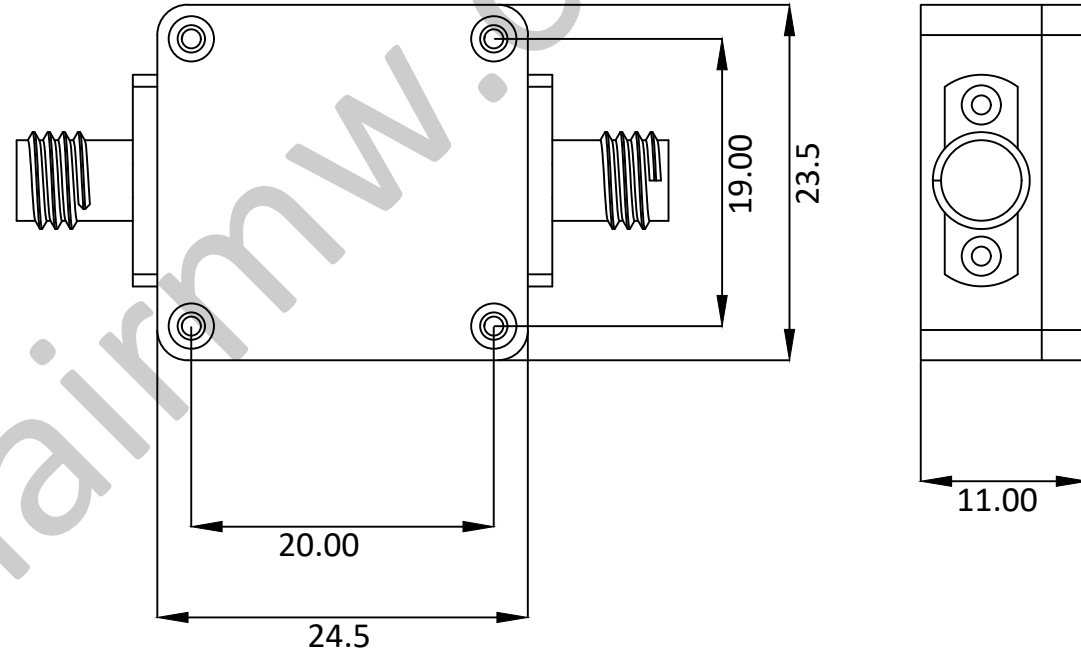
0.5 - 4GHz 限幅器 RF Power Limiter

—电气技术参数 Electrical Specifications—

频率范围 Frequency Range:	0.5 - 4GHz
插入损耗 Insertion Loss:	0.6dB (Typ.)
限幅电平 Clip Level:	15dBm (Typ.)
耐功率 Power Capacity:	47dBm(CW)
输入驻波比 Input VSWR:	1.3:1 (Typ.)
输出驻波比 Output VSWR:	1.3:1 (Typ.)
工作温度 Operation Temperature:	-55~+85°C

—机械技术参数 Mechanical Specification—

输入连接器 Input Interface:	SMA-F
输出连接器 Output Interface:	SMA-F
尺寸 Size(excluding connectors):	24.5*23.5*11mm
重量 Weight:	/



UNLESS OTHERWISE SPECIFIED DIMENSIONS ARE MILLIMETER TOLERANCES ARE: DECIMALS ANGLES FRACTIONS .XX±0.03 ±1' ±2/5 .XXX±0.012		莱尔微波 Laird Microwave www.lairmw.com sales@lairmw.com		P/N: LPL-0001																																				
		Approvals	DATE	0.5-4GHz 限幅器 RF Power Limiter																																				
<table border="1"> <tr> <td>HOLE DIAMETER</td> <td>TOLERANCES</td> </tr> <tr> <td>.35 TO 3.20</td> <td>+.05/- .02</td> </tr> <tr> <td>3.21 TO 6.35</td> <td>+.10/- .03</td> </tr> <tr> <td>6.36 TO 12.70</td> <td>+.15/- .03</td> </tr> <tr> <td>12.71 TO 19.05</td> <td>+.20/- .03</td> </tr> <tr> <td>19.06 TO 25.40</td> <td>+.25/- .03</td> </tr> <tr> <td>25.41 TO 50.80</td> <td>+.30/- .03</td> </tr> </table>	HOLE DIAMETER	TOLERANCES	.35 TO 3.20	+.05/- .02	3.21 TO 6.35	+.10/- .03	6.36 TO 12.70	+.15/- .03	12.71 TO 19.05	+.20/- .03	19.06 TO 25.40	+.25/- .03	25.41 TO 50.80	+.30/- .03	<table border="1"> <tr> <td>DRWN</td> <td></td> </tr> <tr> <td>ENG</td> <td></td> </tr> <tr> <td>CHK</td> <td></td> </tr> <tr> <td>Q.A.</td> <td></td> </tr> </table>	DRWN		ENG		CHK		Q.A.		<table border="1"> <tr> <td>SIZE</td> <td>A3</td> <td>CAGE NO</td> <td></td> <td>DWG NO.</td> <td></td> <td>REV</td> <td>1</td> </tr> <tr> <td>SCALE</td> <td>3:2</td> <td>UNIT</td> <td>mm</td> <td colspan="4">SHEET 1 OF 1</td> </tr> </table>	SIZE	A3	CAGE NO		DWG NO.		REV	1	SCALE	3:2	UNIT	mm	SHEET 1 OF 1			
HOLE DIAMETER	TOLERANCES																																							
.35 TO 3.20	+.05/- .02																																							
3.21 TO 6.35	+.10/- .03																																							
6.36 TO 12.70	+.15/- .03																																							
12.71 TO 19.05	+.20/- .03																																							
19.06 TO 25.40	+.25/- .03																																							
25.41 TO 50.80	+.30/- .03																																							
DRWN																																								
ENG																																								
CHK																																								
Q.A.																																								
SIZE	A3	CAGE NO		DWG NO.		REV	1																																	
SCALE	3:2	UNIT	mm	SHEET 1 OF 1																																				