

NOTES:UNLESS OTHERWISE SPECIFIED  
THIS IS A CAD GENERATED DRAWING,DO NOT REVISE MANUALLY

REVISION HISTORY					
ZONE	REV	DESCRIPTION	E.C.O.NO	DATE	APPROVED
	1	ENGINEERING RELEASE			

## LPD429-10-40

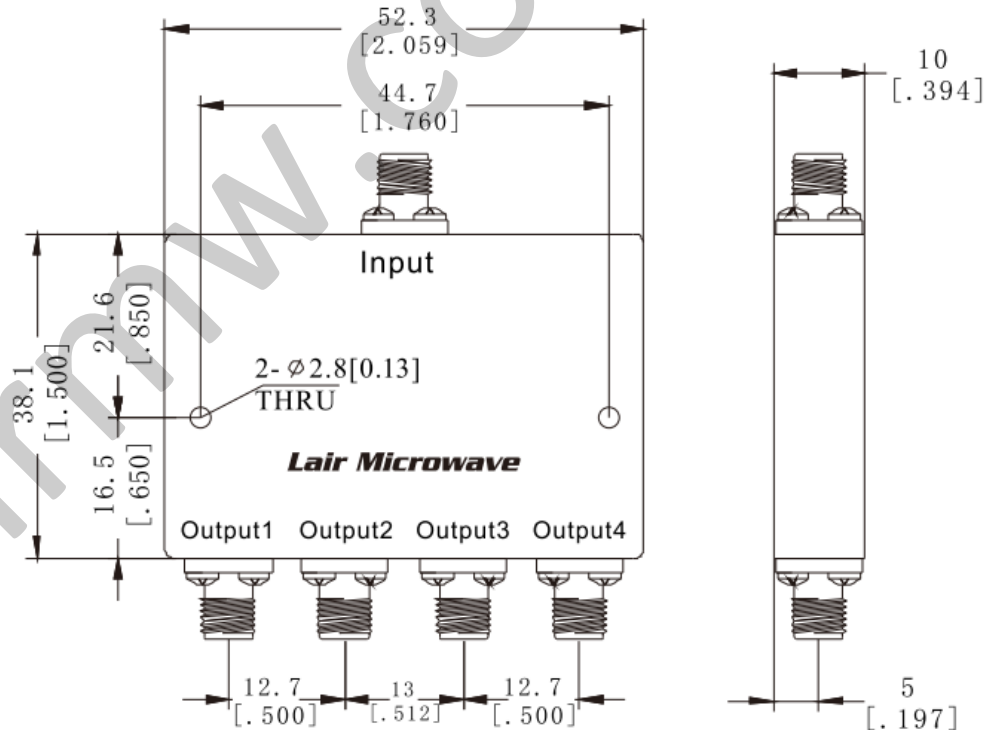
10000 – 40000 MHz 功分/合路器 Power Splitter/Combiner

### —电气技术参数 Electrical Specifications—

频率范围 Frequency Range:	10000 – 40000 MHz
隔离度 Isolation:	22dB(Typ.)/16dB(Min.)
插入损耗 Insertion Loss:	≤1.5dB
相位平衡 Phase Balance:	±6°
幅度平衡 Amplitude Balance:	≤0.4dB
输入驻波比 Input VSWR:	1.28(Typ.)/1.5(Max.)
输出驻波比 Output VSWR:	1.26(Typ.)/1.5(Max.)
承受功率 Power Rating:	20W(Splitter)/1W(Combiner)
工作温度 Operation Temperature:	-45 ~ +85°C

### —机械技术参数 Mechanical Specifications—

输入连接器 Input Interface:	2.92mmF
输出连接器 Output Interface:	2.92mm-F
尺寸 Size (excluding connectors):	52*35*10mm
重量 Weight:	65g



UNLESS OTHERWISE SPECIFIED DIMENSIONS ARE MILLIMETER TOLERANCES ARE: DECIMALS ANGLES FRACTIONS .XX±0.1 ±1' ±2/5 .XXX±0.03 ±2/5 .XXX±0.012					P/N: LPD429-10-40														
			www.lairmw.com sales@lairmw.com																
<table border="1"> <tr> <td>Approvals</td> <td>DATE</td> </tr> <tr> <td>DRWN</td> <td></td> </tr> <tr> <td>ENG</td> <td></td> </tr> <tr> <td>CHK</td> <td></td> </tr> <tr> <td>Q.A.</td> <td></td> </tr> </table>			Approvals	DATE	DRWN		ENG		CHK		Q.A.		<p>10000 – 40000 MHz 功分/合路器 Power Splitter/Combiner</p>						
Approvals	DATE																		
DRWN																			
ENG																			
CHK																			
Q.A.																			
<table border="1"> <tr> <td>HOLE DIAMETER</td> <td>TOLERANCES</td> </tr> <tr> <td>.35 TO 3.20</td> <td>+0.05/-0.02</td> </tr> <tr> <td>3.21 TO 6.35</td> <td>+0.10/-0.03</td> </tr> <tr> <td>6.36 TO 12.70</td> <td>+0.15/-0.03</td> </tr> <tr> <td>12.71 TO 19.05</td> <td>+0.20/-0.03</td> </tr> <tr> <td>19.06 TO 25.40</td> <td>+0.25/-0.03</td> </tr> <tr> <td>25.41 TO 50.80</td> <td>+0.30/-0.03</td> </tr> </table>		HOLE DIAMETER	TOLERANCES	.35 TO 3.20	+0.05/-0.02	3.21 TO 6.35	+0.10/-0.03	6.36 TO 12.70	+0.15/-0.03	12.71 TO 19.05	+0.20/-0.03	19.06 TO 25.40	+0.25/-0.03	25.41 TO 50.80	+0.30/-0.03	SIZE	CAGE NO	DWG NO.	REV
HOLE DIAMETER	TOLERANCES																		
.35 TO 3.20	+0.05/-0.02																		
3.21 TO 6.35	+0.10/-0.03																		
6.36 TO 12.70	+0.15/-0.03																		
12.71 TO 19.05	+0.20/-0.03																		
19.06 TO 25.40	+0.25/-0.03																		
25.41 TO 50.80	+0.30/-0.03																		
		A3			1														
		SCALE	UNIT	SHEET 1 OF 1															
		3:2	mm																