

NOTES:UNLESSOTHERWISE SPECIFIED
THIS IS A CAD GENERATED DRAWING,DO NOT REVISE MANUALLY

REVISION HISTORY					
ZONE	REV	DESCRIPTION	E.C.O.NO	DATE	APPROVED
	1	ENGINEERING RELEASE			

LPD424-18-50

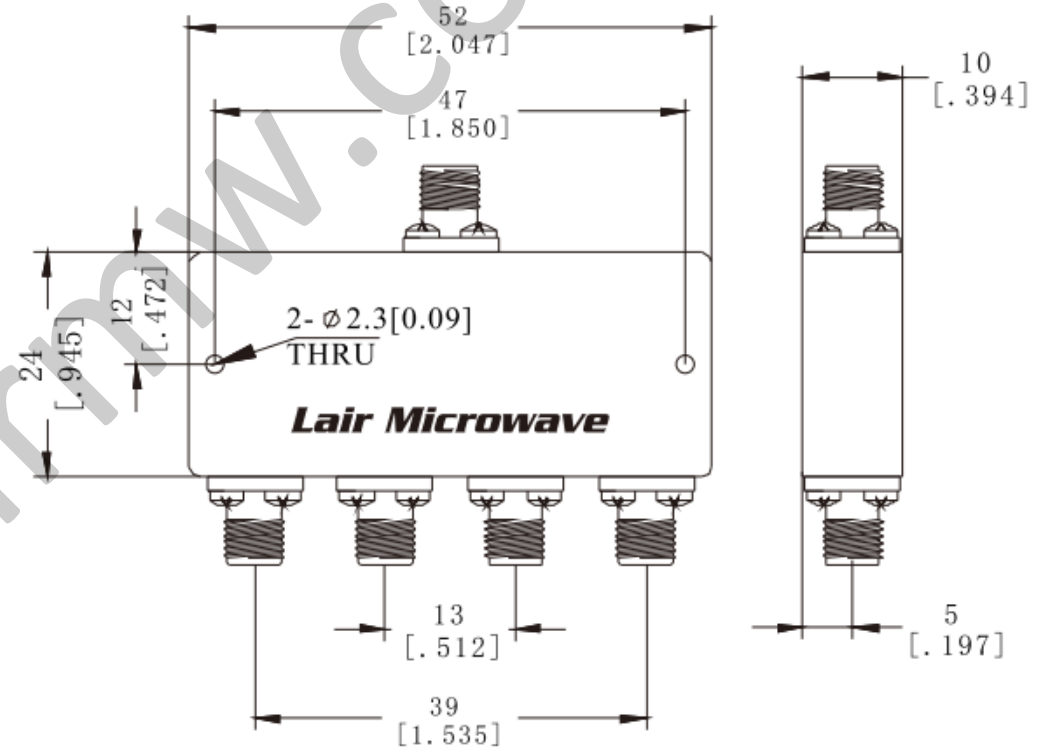
18000 – 50000 MHz 功分/合路器 Power Splitter/Combiner

—电气技术参数 Electrical Specifications—

频率范围 Frequency Range:	18000 – 50000 MHz
隔离度 Isolation:	20dB(Typ.)/15dB(Min.)
插入损耗 Insertion Loss:	≤2.5dB
相位平衡 Phase Balance:	±10°
幅度平衡 Amplitude Balance:	≤0.6dB
输入驻波比 Input VSWR:	1.28(Typ.)/1.8(Max.)
输出驻波比 Output VSWR:	1.26(Typ.)/1.6(Max.)
承受功率 Power Rating:	20W(Splitter)/1W(Combiner)
工作温度 Operation Temperature:	-45 ~ +85°C

—机械技术参数 Mechanical Specifications—

输入连接器 Input Interface:	2.4mm-F
输出连接器 Output Interface:	2.4mm-F
尺寸 Size (excluding connectors):	52*24*10mm
重量 Weight:	60g



UNLESS OTHERWISE SPECIFIED DIMENSIONS ARE MILLIMETER TOLERANCES ARE: DECIMALS ANGLES FRACTIONS .XX±0.03 ±1' ±2/5 .XXX±0.012				莱尔微波 Lair Microwave www.lairmw.com sales@lairmw.com		P/N: LPD424-18-50																									
<table border="1"> <tr> <td>HOLES DIAMETER</td> <td>TOLERANCES</td> </tr> <tr> <td>.35 TO 3.20</td> <td>+0.05/-0.02</td> </tr> <tr> <td>3.21 TO 6.35</td> <td>+0.10/-0.03</td> </tr> <tr> <td>6.36 TO 12.70</td> <td>+0.15/-0.03</td> </tr> <tr> <td>12.71 TO 19.05</td> <td>+0.20/-0.03</td> </tr> <tr> <td>19.06 TO 25.40</td> <td>+0.25/-0.03</td> </tr> <tr> <td>25.41 TO 50.80</td> <td>+0.30/-0.03</td> </tr> </table>		HOLES DIAMETER	TOLERANCES	.35 TO 3.20	+0.05/-0.02	3.21 TO 6.35	+0.10/-0.03	6.36 TO 12.70	+0.15/-0.03	12.71 TO 19.05	+0.20/-0.03	19.06 TO 25.40	+0.25/-0.03	25.41 TO 50.80	+0.30/-0.03	<table border="1"> <tr> <td>Approvals</td> <td>DATE</td> </tr> <tr> <td>DRWN</td> <td></td> </tr> <tr> <td>ENG</td> <td></td> </tr> <tr> <td>CHK</td> <td></td> </tr> <tr> <td>Q.A.</td> <td></td> </tr> </table>		Approvals	DATE	DRWN		ENG		CHK		Q.A.		18000 – 50000 MHz 功分/合路器 Power Splitter/Combiner			
HOLES DIAMETER	TOLERANCES																														
.35 TO 3.20	+0.05/-0.02																														
3.21 TO 6.35	+0.10/-0.03																														
6.36 TO 12.70	+0.15/-0.03																														
12.71 TO 19.05	+0.20/-0.03																														
19.06 TO 25.40	+0.25/-0.03																														
25.41 TO 50.80	+0.30/-0.03																														
Approvals	DATE																														
DRWN																															
ENG																															
CHK																															
Q.A.																															
		SIZE	CAGE NO	DWG NO.	REV																										
		A3			1																										
		SCALE	UNIT	SHEET		1 OF 1																									
		3:2	mm																												