

NOTES:UNLESS OTHERWISE SPECIFIED  
THIS IS A CAD GENERATED DRAWING,DO NOT REVISE MANUALLY

REVISION HISTORY					
ZONE	REV	DESCRIPTION	E.C.O.NO	DATE	APPROVED
	1	ENGINEERING RELEASE			

## LPD2S-DC-50

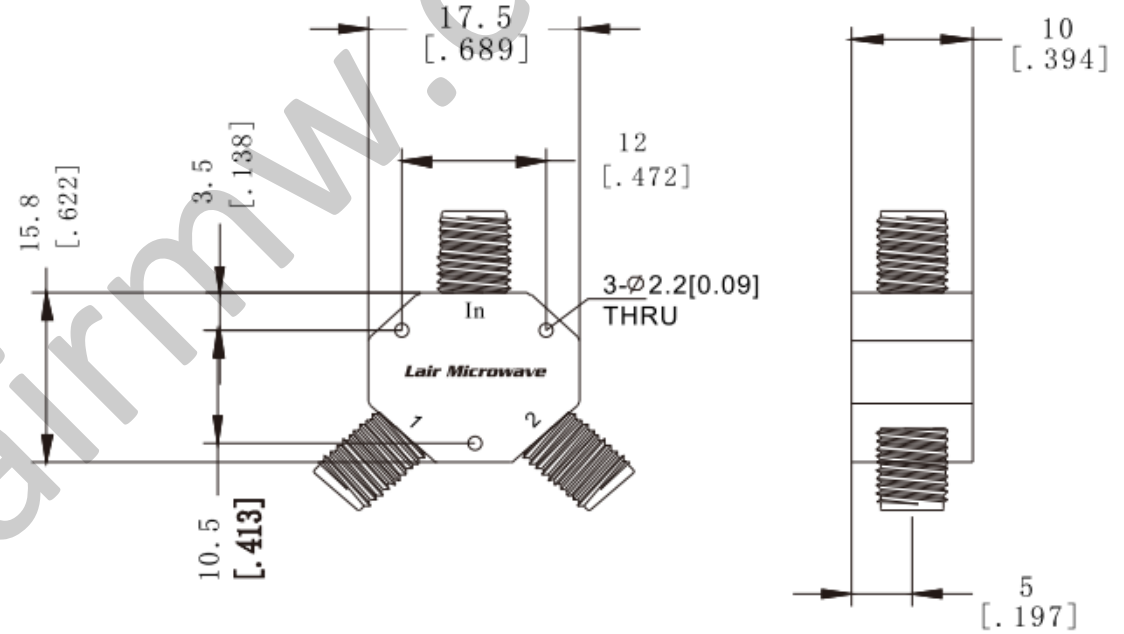
DC – 50000 MHz 电阻功分器 Resistor Power Divider

### —电气技术参数 Electrical Specifications—

频率范围 Frequency Range:	DC – 50000 MHz
隔离度 Isolation:	9dB(Min.)
插入损耗 Insertion Loss:	≤7.8dB
相位平衡 Phase Balance:	±8°
幅度平衡 Amplitude Balance:	±0.8dB
输入驻波比 Input VSWR:	1.28(Typ.)/1.5(Max.)
输出驻波比 Output VSWR:	1.48(Typ.)/2.5(Max.)
承受功率 Power Rating:	1W
工作温度 Operation Temperature:	-35 ~ +75°C

### —机械技术参数 Mechanical Specifications—

输入连接器 Input Interface:	SMA-F
输出连接器 Output Interface:	SMA-F
尺寸 Size (excluding connectors):	17.5*15.8*10mm
重量 Weight:	40g



UNLESS OTHERWISE SPECIFIED DIMENSIONS ARE MILLIMETER TOLERANCES ARE: DECIMALS ANGLES FRACTIONS .XX±0.03 ±1' ±2/5 .XXX±0.012			 www.lairmw.com sales@lairmw.com		P/N: LPD2S-DC-50	
					Approvals DATE	
HOLE DIAMETER .35 TO 3.20 3.21 TO 6.35 6.36 TO 12.70 12.71 TO 19.05 19.06 TO 25.40 25.41 TO 50.80	TOLERANCES +.05/- .02 +.10/- .03 +.15/- .03 +.20/- .03 +.25/- .03 +.30/- .03	SIZE A3	CAGE NO	DWG NO.	REV 1	
		SCALE 3:2	UNIT mm	SHEET 1 OF 1		