

NOTES:UNLESS OTHERWISE SPECIFIED
THIS IS A CAD GENERATED DRAWING,DO NOT REVISE MANUALLY

REVISION HISTORY					
ZONE	REV	DESCRIPTION	E.C.O.NO	DATE	APPROVED
	1	ENGINEERING RELEASE			

LPD2S-DC-40

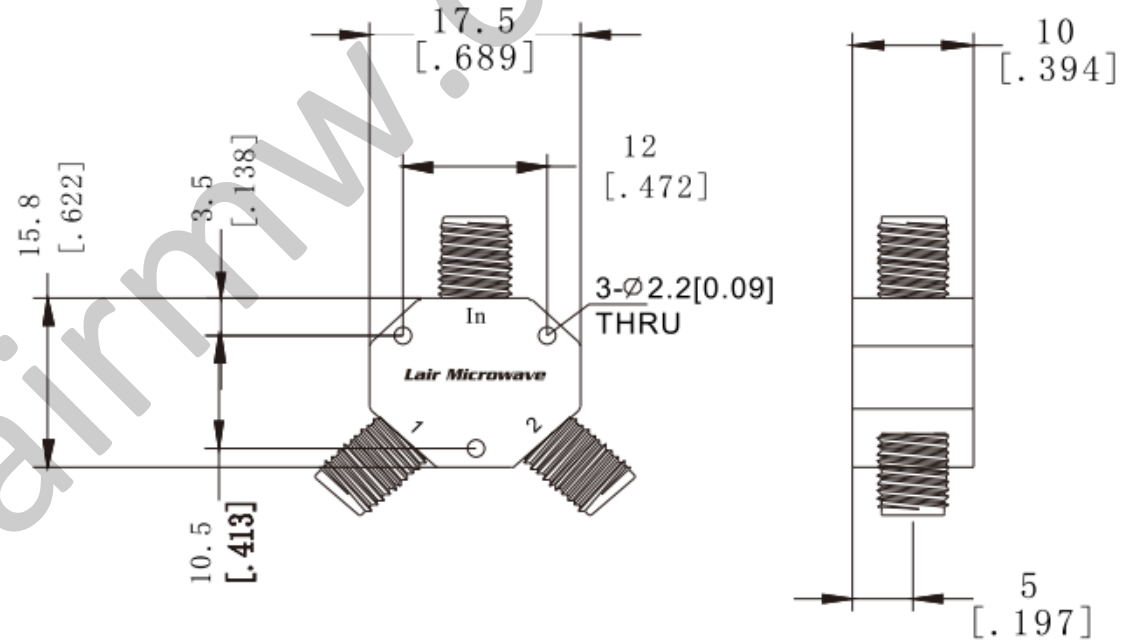
DC – 40000 MHz 电阻功分器 Resistor Power Divider

—电气技术参数 Electrical Specifications—

频率范围 Frequency Range:	DC – 40000 MHz
隔离度 Isolation:	9dB(Min.)
插入损耗 Insertion Loss:	≤7.5dB
相位平衡 Phase Balance:	±5°
幅度平衡 Amplitude Balance:	±0.5dB
输入驻波比 Input VSWR:	1.28(Typ.)/1.5(Max.)
输出驻波比 Output VSWR:	1.48(Typ.)/2.5(Max.)
承受功率 Power Rating:	2W
工作温度 Operation Temperature:	-35 ~ +75°C

—机械技术参数 Mechanical Specifications—

输入连接器 Input Interface:	SMA-F
输出连接器 Output Interface:	SMA-F
尺寸 Size (excluding connectors):	17.5*15.8*10mm
重量 Weight:	40g



UNLESS OTHERWISE SPECIFIED DIMENSIONS ARE MILLIMETER TOLERANCES ARE: DECIMALS ANGLES FRACTIONS .XX±0.03 ±1' ±2/5 .XXX±0.012					P/N: LPD2S-DC-40																													
	<table border="1"> <tr> <td>Approvals</td> <td>DATE</td> </tr> <tr> <td>DRWN</td> <td></td> </tr> <tr> <td>ENG</td> <td></td> </tr> <tr> <td>CHK</td> <td></td> </tr> <tr> <td>Q.A.</td> <td></td> </tr> </table>		Approvals	DATE	DRWN		ENG		CHK		Q.A.		DC – 40000 MHz 功分/合路器 Power Splitter/Combiner																					
Approvals	DATE																																	
DRWN																																		
ENG																																		
CHK																																		
Q.A.																																		
<table border="1"> <tr> <td>HOLE DIAMETER</td> <td>TOLERANCES</td> </tr> <tr> <td>.35 TO 3.20</td> <td>+0.05/-0.02</td> </tr> <tr> <td>3.21 TO 6.35</td> <td>+0.10/-0.03</td> </tr> <tr> <td>6.36 TO 12.70</td> <td>+0.15/-0.03</td> </tr> <tr> <td>12.71 TO 19.05</td> <td>+0.20/-0.03</td> </tr> <tr> <td>19.06 TO 25.40</td> <td>+0.25/-0.03</td> </tr> <tr> <td>25.41 TO 50.80</td> <td>+0.30/-0.03</td> </tr> </table>	HOLE DIAMETER	TOLERANCES	.35 TO 3.20	+0.05/-0.02	3.21 TO 6.35	+0.10/-0.03	6.36 TO 12.70	+0.15/-0.03	12.71 TO 19.05	+0.20/-0.03	19.06 TO 25.40	+0.25/-0.03	25.41 TO 50.80	+0.30/-0.03	<table border="1"> <tr> <td>SIZE</td> <td>CAGE NO</td> <td>DWG NO.</td> <td>REV</td> </tr> <tr> <td>A3</td> <td></td> <td></td> <td>1</td> </tr> </table>		SIZE	CAGE NO	DWG NO.	REV	A3			1	<table border="1"> <tr> <td>SCALE</td> <td>UNIT</td> <td colspan="2">SHEET 1 OF 1</td> </tr> <tr> <td>3:2</td> <td>mm</td> <td colspan="2"></td> </tr> </table>		SCALE	UNIT	SHEET 1 OF 1		3:2	mm		
HOLE DIAMETER	TOLERANCES																																	
.35 TO 3.20	+0.05/-0.02																																	
3.21 TO 6.35	+0.10/-0.03																																	
6.36 TO 12.70	+0.15/-0.03																																	
12.71 TO 19.05	+0.20/-0.03																																	
19.06 TO 25.40	+0.25/-0.03																																	
25.41 TO 50.80	+0.30/-0.03																																	
SIZE	CAGE NO	DWG NO.	REV																															
A3			1																															
SCALE	UNIT	SHEET 1 OF 1																																
3:2	mm																																	