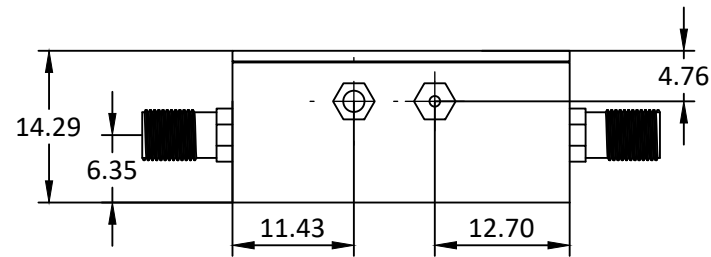
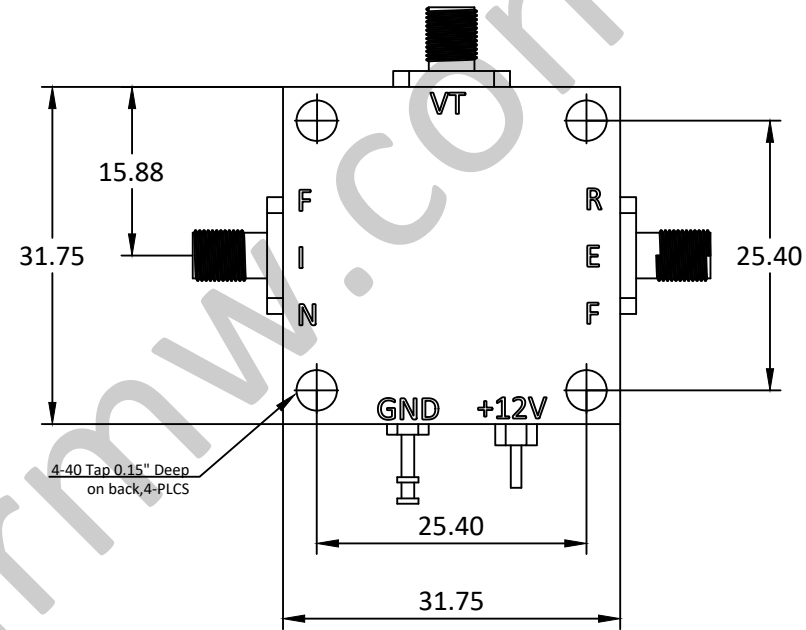
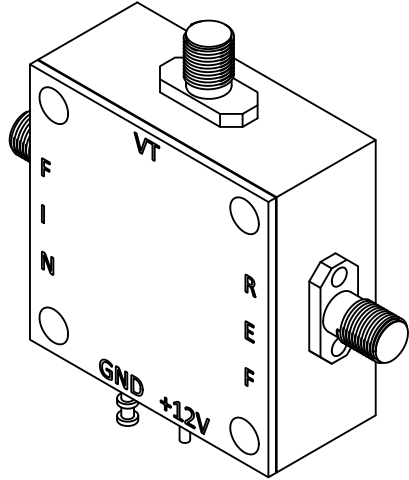


NOTES: UNLESS OTHERWISE SPECIFIED
THIS IS A CAD GENERATED DRAWING, DO NOT REVISE MANUALLY

REVISION HISTORY					
ZONE	REV	DESCRIPTION	E.C.O.NO	DATE	APPROVED
	1	ENGINEERING RELEASE			



LPD-5003

5 - 25MHz 鉴相器 Phase Detector With Loop Filter

—电气技术参数 Electrical Specifications—

频率范围 Frequency Range:	5-25MHz
相位噪声 Phase Noise @1KHz Offset:	-102dBc/Hz
输入功率 Input Power:	-3~+17dBm
输入驻波比 Input VSWR:	1.2:1(Typ.)
输出驻波比 Output VSWR:	1.2:1(Typ.)
直流偏置电压 DC Supply Voltage:	12V
直流偏置电流 DC Supply Current:	20mA
工作温度 Operation Temperature:	-40~+85°C
存储温度 Storage Temperature:	-55~+125°C

—机械技术参数 Mechanical Specification—

输入连接器 Input Interface:	SMA-F
输出连接器 Output Interface:	SMA-F
尺寸 Size(excluding connectors):	/
重量 Weight:	/

UNLESS OTHERWISE SPECIFIED DIMENSIONS ARE MILLIMETER TOLERANCES ARE: DECIMALS ANGLES FRACTIONS .X±0.1 ±1° ±2/5 .XX±0.03 .XXX±0.012				莱尔微波 Laird Microwave www.lairmw.com sales@lairmw.com		P/N: LPD-5003	
				Approvals DATE DRWN ENG CHK Q.A.		5-25MHz 鉴相器 Phase Detector With Loop Filter	
HOLE DIAMETER .35 TO 3.20 3.21 TO 6.35 6.36 TO 12.70 12.71 TO 19.05 19.06 TO 25.40 25.41 TO 50.80		TOLERANCES +.05/- .02 +.10/- .03 +.15/- .03 +.20/- .03 +.25/- .03 +.30/- .03		SIZE	CAGE NO	DWG NO.	REV
				A3			1
				SCALE	UNIT	SHEET 1 OF 1	
				3:2	mm		