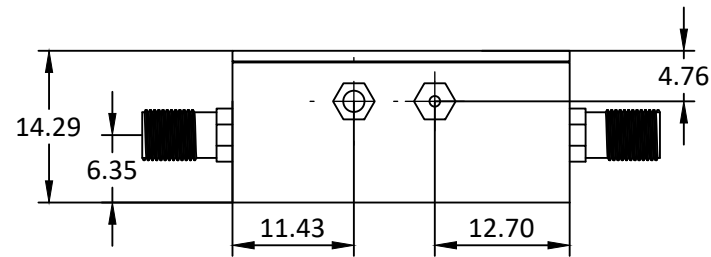
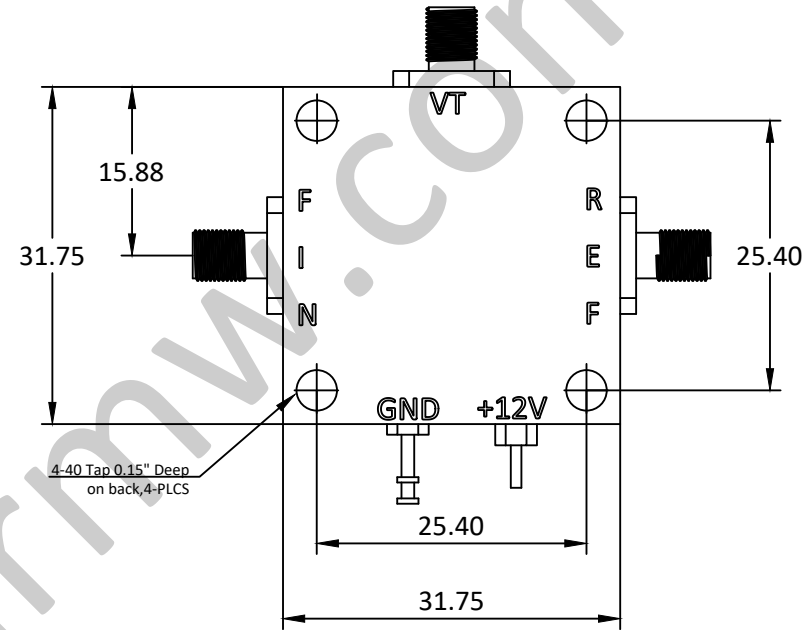
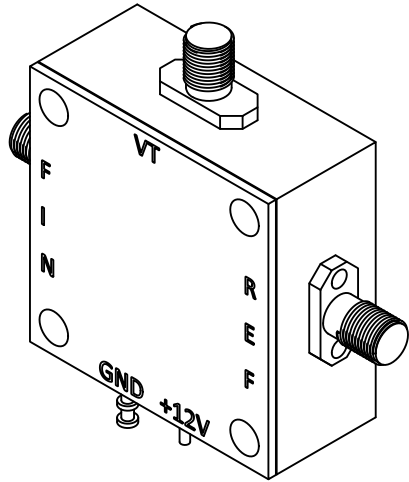


NOTES: UNLESS OTHERWISE SPECIFIED
THIS IS A CAD GENERATED DRAWING, DO NOT REVISE MANUALLY

| REVISION HISTORY | | | | | |
|------------------|-----|---------------------|----------|------|----------|
| ZONE | REV | DESCRIPTION | E.C.O.NO | DATE | APPROVED |
| | 1 | ENGINEERING RELEASE | | | |



LPD-5002

200 - 800MHz 鉴相器 Phase Detector With Loop Filter

—电气技术参数Electrical Specifications—

| | |
|--------------------------------------|-------------|
| 频率范围Frequency Range: | 200-800MHz |
| 调谐电压输出范围Tuning Voltage Output Range: | 0.1-4.9V |
| 相位噪声Phase Noise @1KHz Offset: | -92dBc/Hz |
| 输入功率Input Power: | -7~+10dBm |
| 输入驻波比Input VSWR: | 1.2:1(Typ.) |
| 输出驻波比Output VSWR: | 1.2:1(Typ.) |
| 直流偏置电压DC Supply Voltage: | 12V |
| 直流偏置电流DC Supply Current: | 90mA |
| 工作温度Operation Temperature: | -40~+85°C |
| 存储温度Storage Temperature: | -55~+125°C |

—机械技术参数Mechanical Specification—

| | |
|-------------------------------|-------|
| 输入连接器Input Interface: | SMA-F |
| 输出连接器Output Interface: | SMA-F |
| 尺寸Size(excluding connectors): | / |
| 重量Weight: | / |

| UNLESS OTHERWISE SPECIFIED DIMENSIONS ARE MILLIMETER TOLERANCES ARE: DECIMALS ANGLES FRACTIONS .X±0.1 ±1' ±2/5 .XX±0.03 .XXX±0.012 | | www.lairmw.com sales@lairmw.com | P/N: LPD-5002 | | | | | | | | | | | | | | | |
|---|---------------|-------------------------------------|---------------|--------------|--------------|---------|---------------|---------|----------------|---------|----------------|---------|----------------|---------|-----|--|--|-----|
| | | | DRWN | DATE | | | | | | | | | | | | | | |
| <table border="1"> <thead> <tr> <th>HOLE DIAMETER</th> <th>TOLERANCES</th> </tr> </thead> <tbody> <tr> <td>.35 TO 3.20</td> <td>+05/-02</td> </tr> <tr> <td>3.21 TO 6.35</td> <td>+10/-03</td> </tr> <tr> <td>6.36 TO 12.70</td> <td>+15/-03</td> </tr> <tr> <td>12.71 TO 19.05</td> <td>+20/-03</td> </tr> <tr> <td>19.06 TO 25.40</td> <td>+25/-03</td> </tr> <tr> <td>25.41 TO 50.80</td> <td>+30/-03</td> </tr> </tbody> </table> | HOLE DIAMETER | TOLERANCES | .35 TO 3.20 | +05/-02 | 3.21 TO 6.35 | +10/-03 | 6.36 TO 12.70 | +15/-03 | 12.71 TO 19.05 | +20/-03 | 19.06 TO 25.40 | +25/-03 | 25.41 TO 50.80 | +30/-03 | ENG | 200-800MHz鉴相器Phase Detector With Loop Filter | | REV |
| | HOLE DIAMETER | TOLERANCES | | | | | | | | | | | | | | | | |
| | .35 TO 3.20 | +05/-02 | | | | | | | | | | | | | | | | |
| | 3.21 TO 6.35 | +10/-03 | | | | | | | | | | | | | | | | |
| 6.36 TO 12.70 | +15/-03 | | | | | | | | | | | | | | | | | |
| 12.71 TO 19.05 | +20/-03 | | | | | | | | | | | | | | | | | |
| 19.06 TO 25.40 | +25/-03 | | | | | | | | | | | | | | | | | |
| 25.41 TO 50.80 | +30/-03 | | | | | | | | | | | | | | | | | |
| CHK | Q.A. | SIZE | CAGE NO | DWG NO. | 1 | | | | | | | | | | | | | |
| | | A3 | | | | | | | | | | | | | | | | |
| | | SCALE | UNIT | SHEET 1 OF 1 | | | | | | | | | | | | | | |
| | | 3:2 | mm | | | | | | | | | | | | | | | |