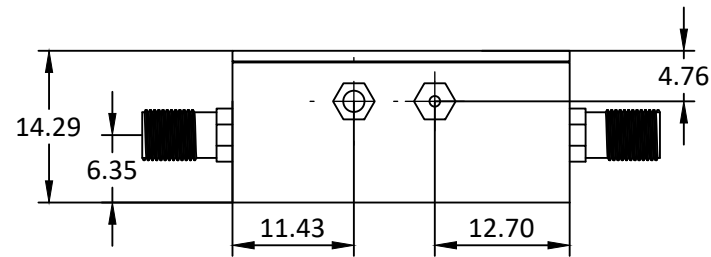
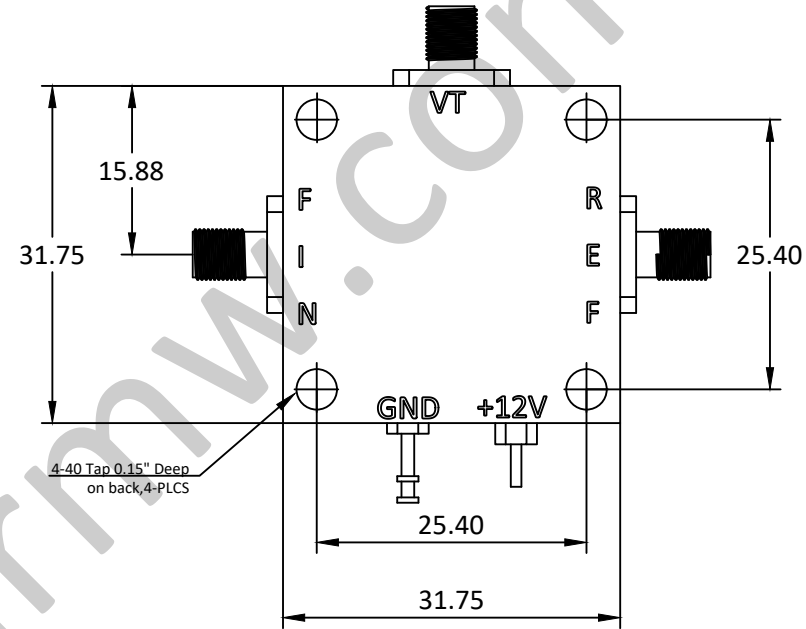
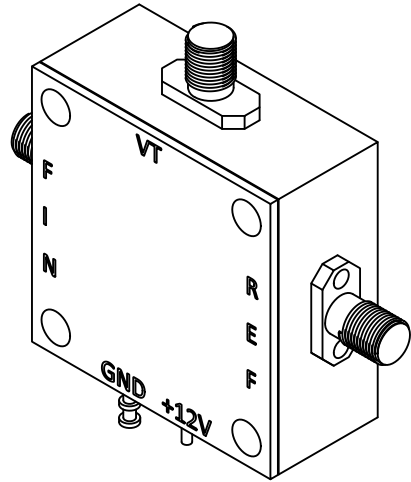


NOTES: UNLESS OTHERWISE SPECIFIED
THIS IS A CAD GENERATED DRAWING, DO NOT REVISE MANUALLY

REVISION HISTORY					
ZONE	REV	DESCRIPTION	E.C.O.NO	DATE	APPROVED
	1	ENGINEERING RELEASE			



LPD-5001

3 - 300MHz 鉴相器 Phase Detector With Loop Filter

—电气技术参数 Electrical Specifications—

频率范围 Frequency Range:	3-300MHz
调谐电压输出范围 Tuning Voltage Output Range:	0.1-4.9V
相位噪声 Phase Noise @1KHz Offset:	-85dBc/Hz
输入功率 Input Power:	-10~+17dBm
输入驻波比 Input VSWR:	1.2:1(Typ.)
输出驻波比 Output VSWR:	1.2:1(Typ.)
直流偏置电压 DC Supply Voltage:	12V
直流偏置电流 DC Supply Current:	175mA
工作温度 Operation Temperature:	-40~+85°C
存储温度 Storage Temperature:	-55~+125°C

—机械技术参数 Mechanical Specification—

输入连接器 Input Interface:	SMA-F
输出连接器 Output Interface:	SMA-F
尺寸 Size(excluding connectors):	/
重量 Weight:	/

UNLESS OTHERWISE SPECIFIED DIMENSIONS ARE MILLIMETER TOLERANCES ARE: DECIMALS ANGLES FRACTIONS .X±0.1 ±1' ±2/5 .XX±0.03 .XXX±0.012		 www.lairmw.com sales@lairmw.com	P/N: LPD-5001															
			DRWN	DATE														
<table border="1"> <tr> <td>HOLE DIAMETER</td> <td>TOLERANCES</td> </tr> <tr> <td>.35 TO 3.20</td> <td>+0.05/-0.02</td> </tr> <tr> <td>3.21 TO 6.35</td> <td>+0.10/-0.03</td> </tr> <tr> <td>6.36 TO 12.70</td> <td>+0.15/-0.03</td> </tr> <tr> <td>12.71 TO 19.05</td> <td>+0.20/-0.03</td> </tr> <tr> <td>19.06 TO 25.40</td> <td>+0.25/-0.03</td> </tr> <tr> <td>25.41 TO 50.80</td> <td>+0.30/-0.03</td> </tr> </table>	HOLE DIAMETER	TOLERANCES	.35 TO 3.20	+0.05/-0.02	3.21 TO 6.35	+0.10/-0.03	6.36 TO 12.70	+0.15/-0.03	12.71 TO 19.05	+0.20/-0.03	19.06 TO 25.40	+0.25/-0.03	25.41 TO 50.80	+0.30/-0.03	DRWN	DATE	3-300MHz 鉴相器 Phase Detector With Loop Filter	
	HOLE DIAMETER	TOLERANCES																
.35 TO 3.20	+0.05/-0.02																	
3.21 TO 6.35	+0.10/-0.03																	
6.36 TO 12.70	+0.15/-0.03																	
12.71 TO 19.05	+0.20/-0.03																	
19.06 TO 25.40	+0.25/-0.03																	
25.41 TO 50.80	+0.30/-0.03																	
ENG	CHK	Q.A.	SIZE A3	CAGE NO	DWG NO.	REV 1												
			SCALE 3:2	UNIT mm	SHEET 1 OF 1													