

NOTES: UNLESS OTHERWISE SPECIFIED
THIS IS A CAD GENERATED DRAWING, DO NOT REVISE MANUALLY

REVISION HISTORY					
ZONE	REV	DESCRIPTION	E.C.O.NO	DATE	APPROVED
	1	ENGINEERING RELEASE			

LMA-5009

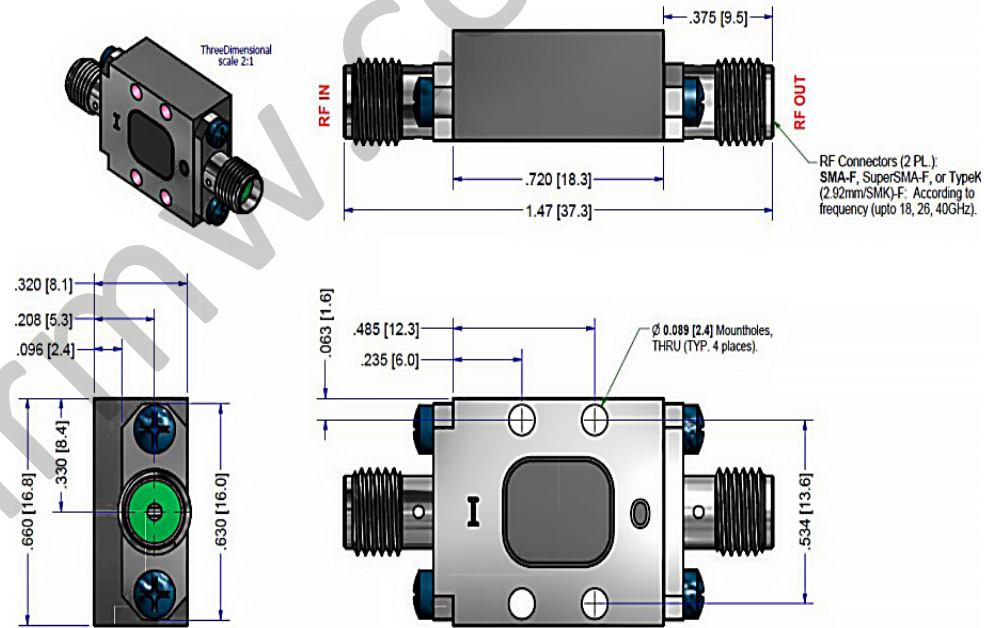
4.0 – 8.0 GHz 无源二倍频器 Passive Frequency Doubler

—电气技术参数 Electrical Specifications—

输入频率范围 Input Frequency Range:	4.0 – 8.0GHz
输出频率范围 Output Frequency Range:	8.0 – 16.0GHz
输入功率 Input Power:	+10 ~ +15dBm
输出功率 Output Power:	-6 ~ -1dBm
谐波抑制 F0 Harmonic Suppression F0:	40dB
输入驻波比 Input VSWR:	4.5:1
输出驻波比 Output VSWR:	2.7:1
直流偏置电压 DC Power Supply:	/
直流偏置电流 DC Current Supply:	/
工作温度 Operation Temperature:	-40 ~ +85°C
存储温度 Storage Temperature:	-65 ~ +150°C

—机械技术参数 Mechanical Specifications—

输入连接器 Input Interface:	SMA-F
输出连接器 Output Interface:	SMA-F
尺寸 Size (excluding connectors):	/
重量 Weight:	/



UNLESS OTHERWISE SPECIFIED DIMENSIONS ARE MILLIMETER TOLERANCES ARE: DECIMALS ANGLES FRACTIONS .XX±0.03 ±1' ±2/5 .XXX±0.012		 www.lairm.com sales@lairm.com	P/N: LMA-5009				
			4.0 – 8.0 GHz Passive Frequency Doubler				
HOLE DIAMETER .35 TO 3.20 3.21 TO 6.35 6.36 TO 12.70 12.71 TO 19.05 19.06 TO 25.40 25.41 TO 50.80	TOLERANCES +.05/- .02 +.10/- .03 +.15/- .03 +.20/- .03 +.25/- .03 +.30/- .03	DRWN	DATE	SIZE A3	CAGE NO	DWG NO.	REV 1
		ENG		SCALE 3:2	UNIT mm	SHEET 1 OF 1	
		CHK					
		Q.A.					