

NOTES: UNLESS OTHERWISE SPECIFIED
THIS IS A CAD GENERATED DRAWING, DO NOT REVISE MANUALLY

REVISION HISTORY					
ZONE	REV	DESCRIPTION	E.C.O.NO	DATE	APPROVED
	1	ENGINEERING RELEASE			

LMA-5006

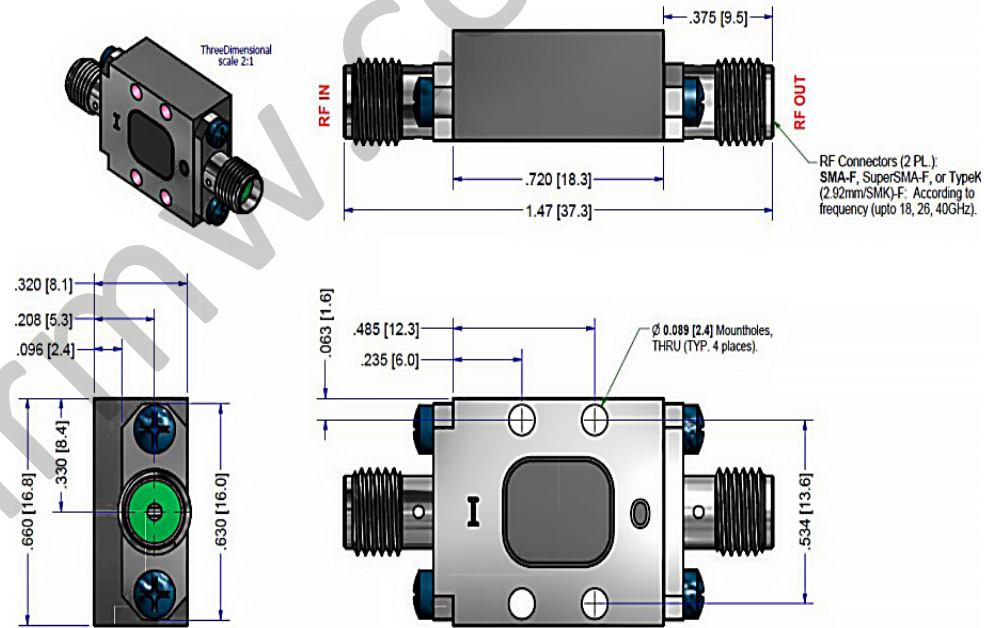
0.85 – 2.0 GHz 无源二倍频器 Passive Frequency Doubler

—电气技术参数 Electrical Specifications—

输入频率范围 Input Frequency Range:	0.85 – 2.0GHz
输出频率范围 Output Frequency Range:	1.7 – 4.0GHz
输入功率 Input Power:	+10 ~ +20dBm
输出功率 Output Power:	-5 ~ +5dBm
谐波抑制 F0 Harmonic Suppression F0:	45dB
输入驻波比 Input VSWR:	2.0:1
输出驻波比 Output VSWR:	2.0:1
直流偏置电压 DC Power Supply:	/
直流偏置电流 DC Current Supply:	/
工作温度 Operation Temperature:	-40 ~ +85°C
存储温度 Storage Temperature:	-65 ~ +150°C

—机械技术参数 Mechanical Specifications—

输入连接器 Input Interface:	SMA-F
输出连接器 Output Interface:	SMA-F
尺寸 Size (excluding connectors):	/
重量 Weight:	/



RF Connectors (2 PL.):
SMA-F, SuperSMA-F, or TypeK
(2.92mm/SMK)-F. According to
frequency (upto 18, 26, 40GHz).

UNLESS OTHERWISE SPECIFIED DIMENSIONS ARE MILLIMETER TOLERANCES ARE: DECIMALS ANGLES FRACTIONS .XX±0.03 ±1' ±2/5 .XXX±0.012			 www.lairmw.com sales@lairmw.com	P/N: LMA-5006	
	Approvals	DATE		0.85 – 2.0 GHz Passive Frequency Doubler	
HOLE DIAMETER .35 TO 3.20 3.21 TO 6.35 6.36 TO 12.70 12.71 TO 19.05 19.06 TO 25.40 25.41 TO 50.80	TOLERANCES +.05/- .02 +.10/- .03 +.15/- .03 +.20/- .03 +.25/- .03 +.30/- .03	DRWN	ENG	CHK	Q.A.
			SIZE A3	CAGE NO	DWG NO.
			SCALE 3:2	UNIT mm	REV 1
			SHEET 1 OF 1		