

NOTES:UNLESS OTHERWISE SPECIFIED
THIS IS A CAD GENERATED DRAWING,DO NOT REVISE MANUALLY

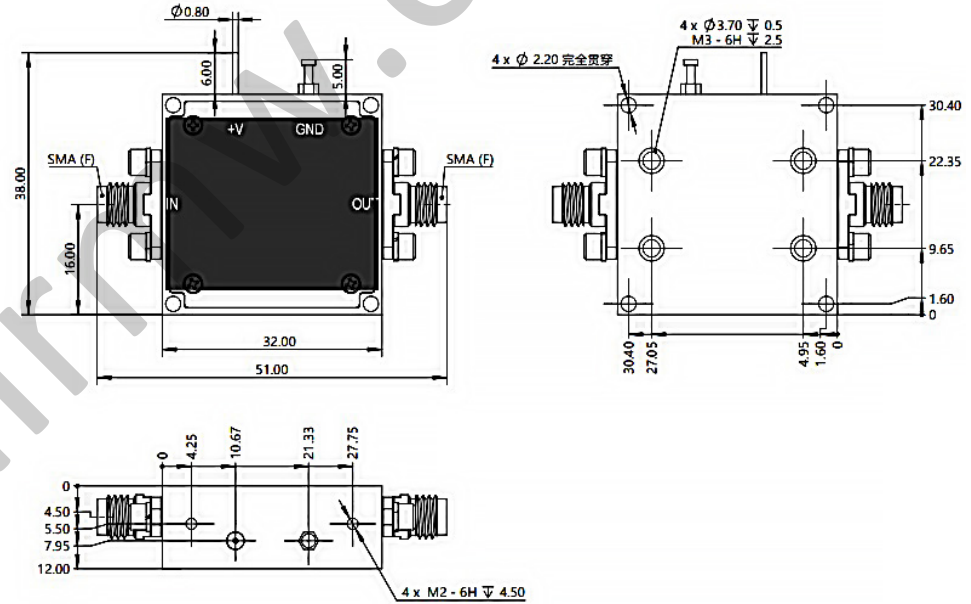
REVISION HISTORY					
ZONE	REV	DESCRIPTION	E.C.O.NO	DATE	APPROVED
	1	ENGINEERING RELEASE			

LMA-2012

2 – 6 GHz 有源三倍频器 Active Frequency Tripler

—电气技术参数 Electrical Specifications—

输入频率范围 Input Frequency Range:	2 – 6GHz
输出频率范围 Output Frequency Range:	6 – 18GHz
输入功率 Input Power:	0~+5dBm
输出功率 Output Power:	17dBm
谐波抑制 F0 Harmonic Suppression F0:	/
输入驻波比 Input VSWR:	1.4:1
输出驻波比 Output VSWR:	1.5:1
直流偏置电压 DC Power Supply:	+6~+15V
直流偏置电流 DC Current Supply:	210mA
工作温度 Operation Temperature:	-40 ~ +40°C
存储温度 Storage Temperature:	-65 ~ +125°C



—机械技术参数 Mechanical Specifications—

输入连接器 Input Interface:	SMA-F
输出连接器 Output Interface:	SMA-F
尺寸 Size (excluding connectors):	32x32x12mm
重量 Weight:	27g

UNLESS OTHERWISE SPECIFIED DIMENSIONS ARE MILLIMETER TOLERANCES ARE: DECIMALS ANGLES FRACTIONS .XX±0.03 ±1' ±2/5 .XXX±0.012				莱尔微波 www.lairmw.com sales@lairmw.com		P/N: LMA-2012																													
<table border="1"> <tr> <td>Approvals</td> <td>DATE</td> </tr> <tr> <td>DRWN</td> <td></td> </tr> <tr> <td>ENG</td> <td></td> </tr> <tr> <td>CHK</td> <td></td> </tr> <tr> <td>Q.A.</td> <td></td> </tr> </table>		Approvals	DATE	DRWN		ENG		CHK		Q.A.		<p style="text-align: center;">2 – 6 GHz Active Frequency tripler</p>																							
Approvals	DATE																																		
DRWN																																			
ENG																																			
CHK																																			
Q.A.																																			
<table border="1"> <tr> <td>HOLE DIAMETER</td> <td>TOLERANCES</td> </tr> <tr> <td>.35 TO 3.20</td> <td>+.05/- .02</td> </tr> <tr> <td>3.21 TO 6.35</td> <td>+.10/- .03</td> </tr> <tr> <td>6.36 TO 12.70</td> <td>+.15/- .03</td> </tr> <tr> <td>12.71 TO 19.05</td> <td>+.20/- .03</td> </tr> <tr> <td>19.06 TO 25.40</td> <td>+.25/- .03</td> </tr> <tr> <td>25.41 TO 50.80</td> <td>+.30/- .03</td> </tr> </table>		HOLE DIAMETER	TOLERANCES	.35 TO 3.20	+.05/- .02	3.21 TO 6.35	+.10/- .03	6.36 TO 12.70	+.15/- .03	12.71 TO 19.05	+.20/- .03	19.06 TO 25.40	+.25/- .03	25.41 TO 50.80	+.30/- .03	<table border="1"> <tr> <td>SIZE</td> <td>CAGE NO</td> <td>DWG NO.</td> <td>REV</td> </tr> <tr> <td>A3</td> <td></td> <td></td> <td>1</td> </tr> </table>		SIZE	CAGE NO	DWG NO.	REV	A3			1	<table border="1"> <tr> <td>SCALE</td> <td>UNIT</td> <td colspan="2">SHEET 1 OF 1</td> </tr> <tr> <td>3:2</td> <td>mm</td> <td colspan="2"></td> </tr> </table>		SCALE	UNIT	SHEET 1 OF 1		3:2	mm		
HOLE DIAMETER	TOLERANCES																																		
.35 TO 3.20	+.05/- .02																																		
3.21 TO 6.35	+.10/- .03																																		
6.36 TO 12.70	+.15/- .03																																		
12.71 TO 19.05	+.20/- .03																																		
19.06 TO 25.40	+.25/- .03																																		
25.41 TO 50.80	+.30/- .03																																		
SIZE	CAGE NO	DWG NO.	REV																																
A3			1																																
SCALE	UNIT	SHEET 1 OF 1																																	
3:2	mm																																		