

NOTES:UNLESS OTHERWISE SPECIFIED  
THIS IS A CAD GENERATED DRAWING,DO NOT REVISE MANUALLY

REVISION HISTORY					
ZONE	REV	DESCRIPTION	E.C.O.NO	DATE	APPROVED
	1	ENGINEERING RELEASE			

## LMA-2005

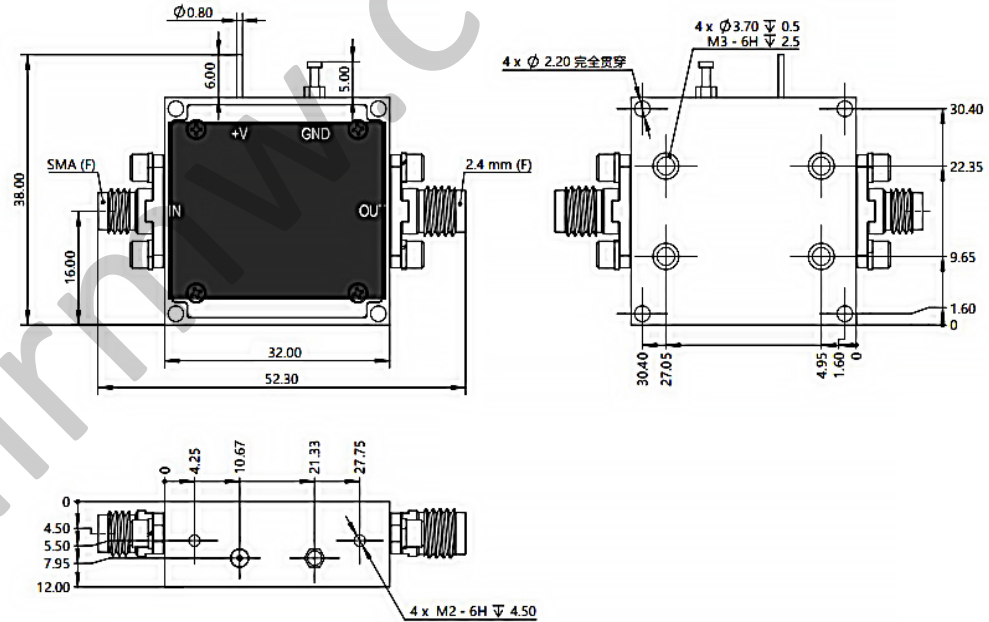
5 – 12.5 GHz 有源四倍频器 Active Frequency Quadrupler

### —电气技术参数 Electrical Specifications—

输入频率范围 Input Frequency Range:	5 – 12.5GHz
输出频率范围 Output Frequency Range:	20 – 50GHz
输入功率 Input Power:	3dBm
输出功率 Output Power:	23dBm
谐波抑制 F0 Harmonic Suppression F0:	49dB
输入驻波比 Input VSWR:	1.7:1
输出驻波比 Output VSWR:	1.7:1
直流偏置电压 DC Power Supply:	+5 ~ +12V
直流偏置电流 DC Current Supply:	580mA
工作温度 Operation Temperature:	-40 ~ +40°C
存储温度 Storage Temperature:	-65 ~ +125°C

### —机械技术参数 Mechanical Specifications—

输入连接器 Input Interface:	SMA-F
输出连接器 Output Interface:	2.4mm-F
尺寸 Size (excluding connectors):	32x32x12mm
重量 Weight:	27g



UNLESS OTHERWISE SPECIFIED DIMENSIONS ARE MILLIMETER TOLERANCES ARE: DECIMALS ANGLES FRACTIONS .XX±0.1 ±1' ±2/5 .XXX±0.012						P/N: LMA-2005																											
<table border="1"> <tr> <td>DRWN</td> <td>DATE</td> </tr> <tr> <td>ENG</td> <td></td> </tr> <tr> <td>CHK</td> <td></td> </tr> <tr> <td>Q.A.</td> <td></td> </tr> </table>		DRWN	DATE	ENG		CHK		Q.A.		<table border="1"> <tr> <td colspan="4">5 – 12.5 GHz Active Frequency Quadrupler</td> </tr> <tr> <td>SIZE</td> <td>CAGE NO</td> <td>DWG NO.</td> <td>REV</td> </tr> <tr> <td>A3</td> <td></td> <td></td> <td>1</td> </tr> <tr> <td>SCALE</td> <td>UNIT</td> <td colspan="2">SHEET 1 OF 1</td> </tr> <tr> <td>3:2</td> <td>mm</td> <td colspan="2"></td> </tr> </table>		5 – 12.5 GHz Active Frequency Quadrupler				SIZE	CAGE NO	DWG NO.	REV	A3			1	SCALE	UNIT	SHEET 1 OF 1		3:2	mm				
DRWN	DATE																																
ENG																																	
CHK																																	
Q.A.																																	
5 – 12.5 GHz Active Frequency Quadrupler																																	
SIZE	CAGE NO	DWG NO.	REV																														
A3			1																														
SCALE	UNIT	SHEET 1 OF 1																															
3:2	mm																																