

NOTES:UNLESS OTHERWISE SPECIFIED
THIS IS A CAD GENERATED DRAWING,DO NOT REVISE MANUALLY

REVISION HISTORY					
ZONE	REV	DESCRIPTION	E.C.O.NO	DATE	APPROVED
	1	ENGINEERING RELEASE			

LMA-2004

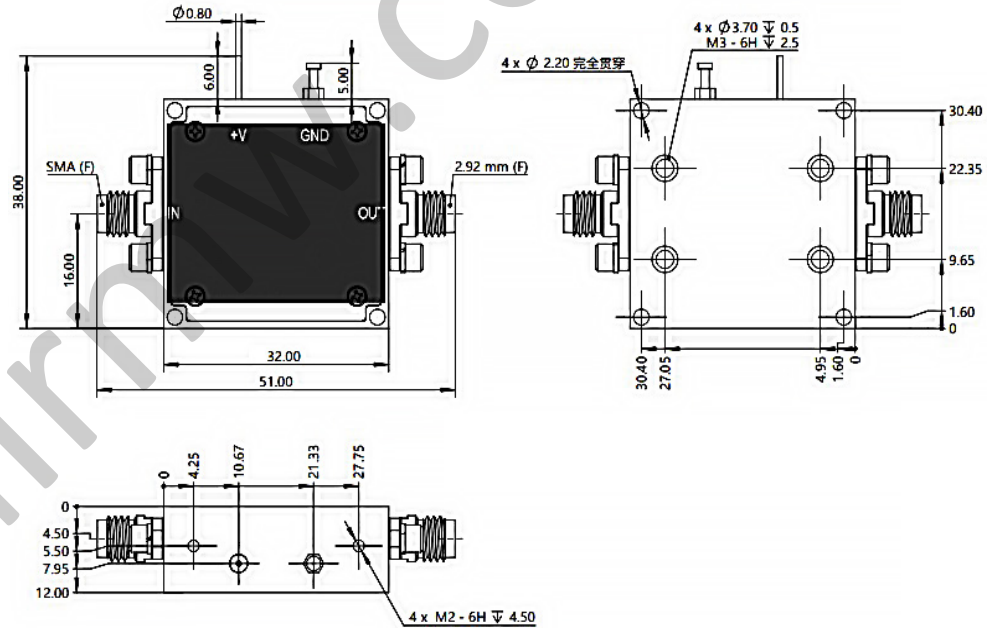
10 – 20 GHz 有源二倍频器 Active Frequency Doubler

—电气技术参数 Electrical Specifications—

输入频率范围 Input Frequency Range:	10 – 20GHz
输出频率范围 Output Frequency Range:	20 – 40GHz
输入功率 Input Power:	-4~+6dBm
输出功率 Output Power:	13dBm
谐波抑制 F0 Harmonic Suppression F0:	50dB
输入驻波比 Input VSWR:	1.3:1
输出驻波比 Output VSWR:	1.4:1
直流偏置电压 DC Power Supply:	+6~+10V
直流偏置电流 DC Current Supply:	110mA
工作温度 Operation Temperature:	-40 ~ +40°C
存储温度 Storage Temperature:	-65 ~ +125°C

—机械技术参数 Mechanical Specifications—

输入连接器 Input Interface:	SMA-F
输出连接器 Output Interface:	2.92mm-F
尺寸 Size (excluding connectors):	32x32x12mm
重量 Weight:	27g



UNLESS OTHERWISE SPECIFIED DIMENSIONS ARE MILLIMETER TOLERANCES ARE: DECIMALS ANGLES FRACTIONS .XX±0.03 ±1' ±2/5 .XXX±0.012		 www.lairmw.com sales@lairmw.com	P/N: LMA-2004		
			10 – 20 GHz Active Frequency Doubler		
HOLE DIAMETER .35 TO 3.20 3.21 TO 6.35 6.36 TO 12.70 12.71 TO 19.05 19.06 TO 25.40 25.41 TO 50.80	TOLERANCES +.05/- .02 +.10/- .03 +.15/- .03 +.20/- .03 +.25/- .03 +.30/- .03	DRWN			
		ENG			
		CHK			
		Q.A.			
		SIZE A3	CAGE NO	DWG NO.	REV 1
		SCALE 3:2	UNIT mm	SHEET 1 OF 1	