

NOTES:UNLESS OTHERWISE SPECIFIED
THIS IS A CAD GENERATED DRAWING,DO NOT REVISE MANUALLY

REVISION HISTORY					
ZONE	REV	DESCRIPTION	E.C.O.NO	DATE	APPROVED
	1	ENGINEERING RELEASE			

LMA-2003

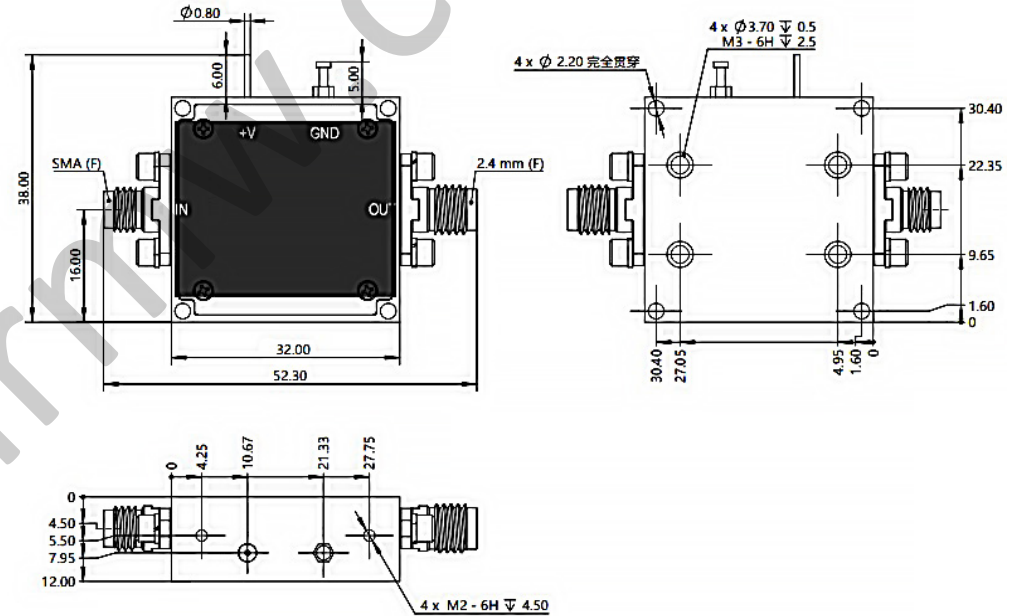
4.65 – 11 GHz 有源四倍频器 Active Frequency Quadrupler

—电气技术参数 Electrical Specifications—

输入频率范围 Input Frequency Range:	4.65 – 11GHz
输出频率范围 Output Frequency Range:	18.6 – 44GHz
输入功率 Input Power:	+3 ~ +8dBm
输出功率 Output Power:	16dBm
谐波抑制 F0 Harmonic Suppression F0:	49dB
输入驻波比 Input VSWR:	1.7:1
输出驻波比 Output VSWR:	1.7:1
直流偏置电压 DC Power Supply:	+6 ~ +12V
直流偏置电流 DC Current Supply:	530mA
工作温度 Operation Temperature:	-40 ~ +40°C
存储温度 Storage Temperature:	-65 ~ +125°C

—机械技术参数 Mechanical Specifications—

输入连接器 Input Interface:	SMA-F
输出连接器 Output Interface:	2.4mm-F
尺寸 Size (excluding connectors):	32x32x12mm
重量 Weight:	27g



UNLESS OTHERWISE SPECIFIED DIMENSIONS ARE MILLIMETER TOLERANCES ARE: DECIMALS ANGLES FRACTIONS .XX±0.03 ±1' ±2/5 .XXX±0.012			莱尔微波 Laird Microwave www.lairmw.com sales@lairmw.com	P/N: LMA-2003		
	Approvals	DATE		4.65 – 11 GHz Active Frequency Quadrupler		
HOLE DIAMETER .35 TO 3.20 3.21 TO 6.35 6.36 TO 12.70 12.71 TO 19.05 19.06 TO 25.40 25.41 TO 50.80	TOLERANCES +.05/- .02 +.10/- .03 +.15/- .03 +.20/- .03 +.25/- .03 +.30/- .03	DRWN	SIZE A3	CAGE NO	DWG NO.	REV 1
		ENG	SCALE 3:2	UNIT mm	SHEET 1 OF 1	
		CHK				
		Q.A.				