

NOTES:UNLESS OTHERWISE SPECIFIED
THIS IS A CAD GENERATED DRAWING,DO NOT REVISE MANUALLY

REVISION HISTORY					
ZONE	REV	DESCRIPTION	E.C.O.NO	DATE	APPROVED
	1	ENGINEERING RELEASE			

LMA-1002

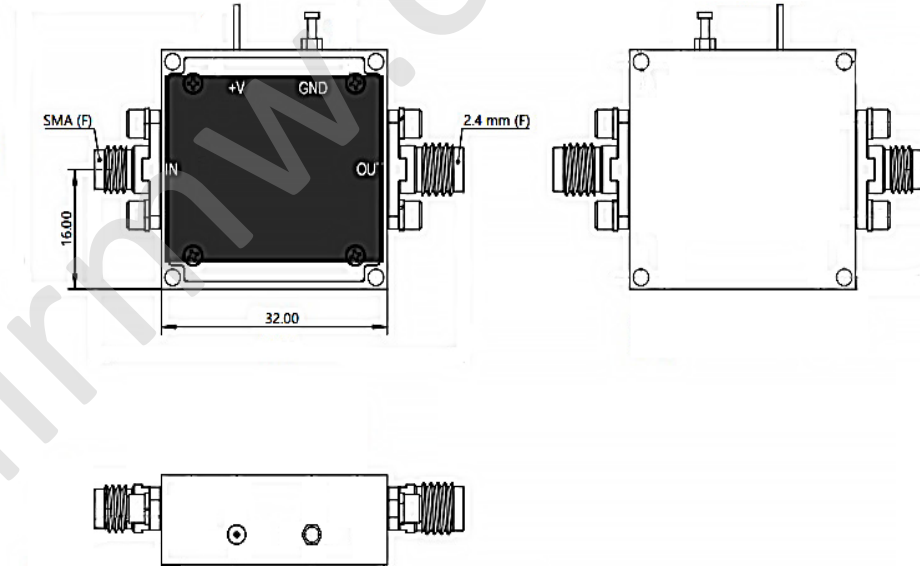
5 – 10 GHz 有源四倍频器 Active Frequency Quadrupler

—电气技术参数 Electrical Specifications—

输入频率范围 Input Frequency Range:	5 – 10GHz
输出频率范围 Output Frequency Range:	20 – 40GHz
输入功率 Input Power:	0~6dBm
输出功率 Output Power:	15dBm(typ.)
谐波抑制 F0 Harmonic Suppression F0:	30dB
输入驻波比 Input VSWR:	1.6:1
直流偏置电压 DC Power Supply:	+8V(+5.5~+10V)
直流偏置电流 DC Current Supply:	530mA
工作温度 Operation Temperature:	-40 ~ +40°C
存储温度 Storage Temperature:	-65 ~ +125°C

—机械技术参数 Mechanical Specifications—

输入连接器 Input Interface:	SMA-F
输出连接器 Output Interface:	2.92mm-F
尺寸 Size (excluding connectors):	32x32x12mm
重量 Weight:	27g



UNLESS OTHERWISE SPECIFIED DIMENSIONS ARE MILLIMETER TOLERANCES ARE: DECIMALS ANGLES FRACTIONS .X±0.1 ±1' ±2/5 .XX±0.03 .XXX±0.012			莱尔微波 Laird Microwave www.lairmw.com sales@lairmw.com	P/N: LMA-1002																														
				5 – 10 GHz 有源四倍频器 Active Frequency Quadrupler																														
<table border="1"> <tr> <td>HOLE DIAMETER</td> <td>TOLERANCES</td> </tr> <tr> <td>.35 TO 3.20</td> <td>+.05/-02</td> </tr> <tr> <td>3.21 TO 6.35</td> <td>+.10/-03</td> </tr> <tr> <td>6.36 TO 12.70</td> <td>+.15/-03</td> </tr> <tr> <td>12.71 TO 19.05</td> <td>+.20/-03</td> </tr> <tr> <td>19.06 TO 25.40</td> <td>+.25/-03</td> </tr> <tr> <td>25.41 TO 50.80</td> <td>+.30/-03</td> </tr> </table>	HOLE DIAMETER	TOLERANCES	.35 TO 3.20	+.05/-02	3.21 TO 6.35	+.10/-03	6.36 TO 12.70	+.15/-03	12.71 TO 19.05	+.20/-03	19.06 TO 25.40	+.25/-03	25.41 TO 50.80	+.30/-03	<table border="1"> <tr> <td>Approvals</td> <td>DATE</td> </tr> <tr> <td>DRWN: QY</td> <td></td> </tr> <tr> <td>ENG: CYL</td> <td></td> </tr> <tr> <td>CHK: WY</td> <td></td> </tr> </table>	Approvals	DATE	DRWN: QY		ENG: CYL		CHK: WY		<table border="1"> <tr> <td>SIZE</td> <td>CAGE NO</td> <td>DWG NO.</td> <td>REV</td> </tr> <tr> <td>A3</td> <td></td> <td></td> <td>1</td> </tr> </table>	SIZE	CAGE NO	DWG NO.	REV	A3			1		
	HOLE DIAMETER	TOLERANCES																																
.35 TO 3.20	+.05/-02																																	
3.21 TO 6.35	+.10/-03																																	
6.36 TO 12.70	+.15/-03																																	
12.71 TO 19.05	+.20/-03																																	
19.06 TO 25.40	+.25/-03																																	
25.41 TO 50.80	+.30/-03																																	
Approvals	DATE																																	
DRWN: QY																																		
ENG: CYL																																		
CHK: WY																																		
SIZE	CAGE NO	DWG NO.	REV																															
A3			1																															
SCALE 3:2	UNIT mm	SHEET 1 OF 1																																