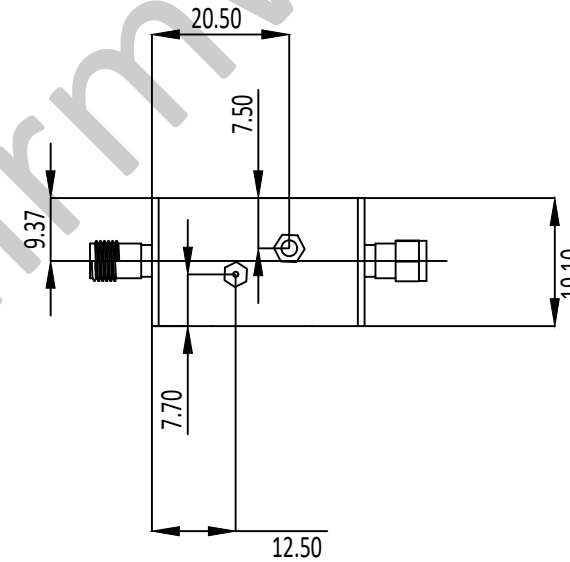
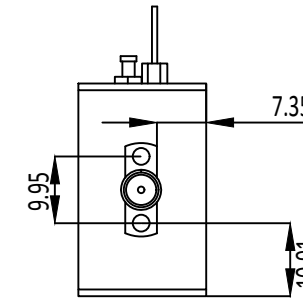
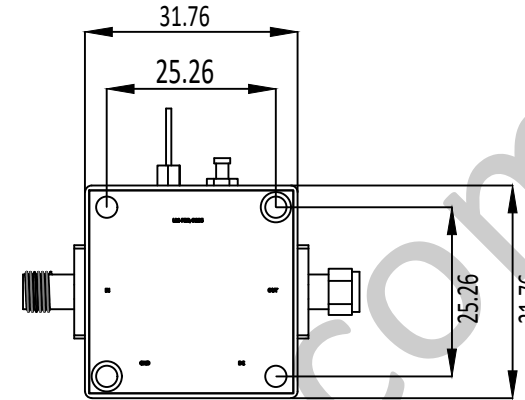
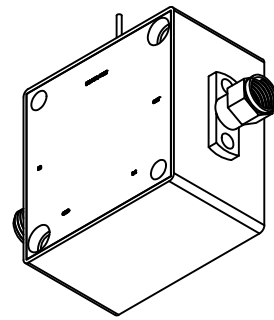


NOTES: UNLESS OTHERWISE SPECIFIED
THIS IS A CAD GENERATED DRAWING, DO NOT REVISE MANUALLY

REVISION HISTORY					
ZONE	REV	DESCRIPTION	E.C.O.NO	DATE	APPROVED
	1	ENGINEERING RELEASE			



LM-PZQ-0335

0.3 - 3.5GHz 偏置器 Bias Tee

—电气技术参数 Electrical Specifications—

频率范围 Frequency Range:	0.3 - 3.5GHz
插入损耗 Insertion Loss:	1.0dB
直流端隔离度 DC Terminal Isolation:	17dB
驻波 VSWR:	1.30
最大直流电流 Maximum DC Current:	4000mA
直流电压 DC Voltage:	30V

—机械技术参数 Mechanical Specification—

RF连接器 RF Interface:	SMA-F
RF&DC连接器 RF&DC Interface:	SMA-M
尺寸 Size (excluding connectors):	/
重量 Weight:	/

UNLESS OTHERWISE SPECIFIED DIMENSIONS ARE MILLIMETER TOLERANCES ARE: DECIMALS ANGLES FRACTIONS .X±0.1 ±1° ±2/5 .XX±0.03 .XXX±0.012					P/N: LM-PZQ-0335	
	Approvals	DATE	www.lairmw.com sales@lairmw.com			
DRWN		0.3-3.5GHz 偏置器 Bias Tee				
ENG						
CHK		SIZE	CAGE NO	DWG NO.	REV	
Q.A.		A3			1	
		SCALE	UNIT	SHEET 1 OF 1		
		3:2	mm			

HOLE DIAMETER	TOLERANCES
.35 TO 3.20	+.05/-0.02
3.21 TO 6.35	+.10/-0.03
6.36 TO 12.70	+.15/-0.03
12.71 TO 19.05	+.20/-0.03
19.06 TO 25.40	+.25/-0.03
25.41 TO 50.80	+.30/-0.03