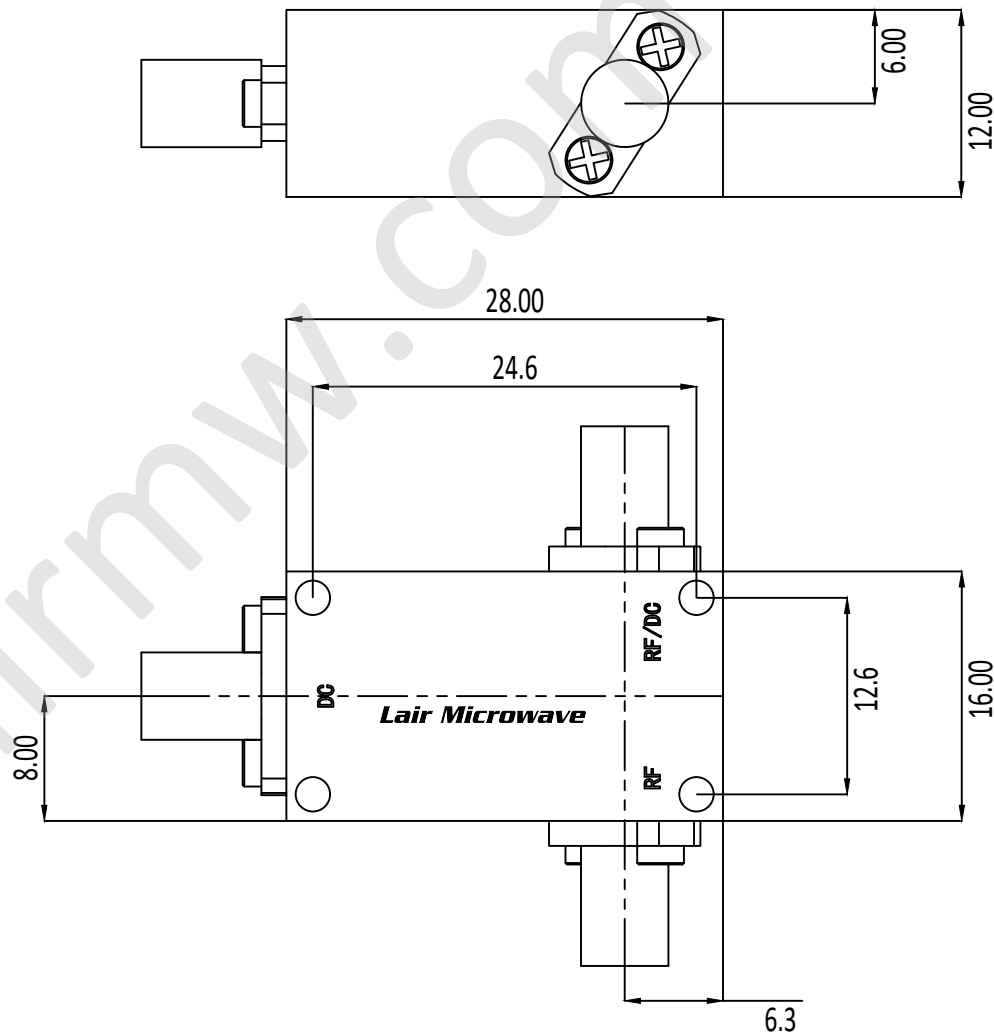
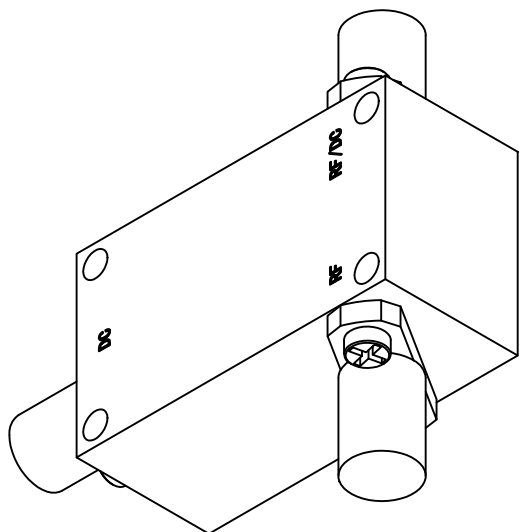


NOTES: UNLESS OTHERWISE SPECIFIED
THIS IS A CAD GENERATED DRAWING, DO NOT REVISE MANUALLY

REVISION HISTORY					
ZONE	REV	DESCRIPTION	E.C.O.NO	DATE	APPROVED
	1	ENGINEERING RELEASE			



LM-PZQ-0326

0.3~26.5GHz 偏置器 Bias Tee

—电气技术参数 Electrical Specifications—

频率范围 Frequency Range:	0.3 - 26.5GHz
插入损耗 Insertion Loss:	1.5dB (Typ.), 1.8dB (Max.)
驻波比 VSWR:	1.5 (Typ.), 1.8 (Max.)
平均功率 Average Power:	1W
阻抗 Impedance:	50Ω
工作电压 Operation Voltage:	50V (Max.)
工作电流 Operation Current:	500mA (Max.)
工作温度 Operation Temperature:	-40~+70 C
存储温度 Storage Temperature:	-55~+85 C

—机械技术参数 Mechanical Specification—

RF连接器 RF Interface:	2.92mm-M
RF&DC连接器 RF&DC Interface:	2.92mm-F
DC端连接器 DC Interface:	SMA-F
重量 Weight:	40g

UNLESS OTHERWISE SPECIFIED DIMENSIONS ARE MILLIMETER TOLERANCES ARE: DECIMALS ANGLES FRACTIONS .X±0.1 ±1' ±2/5 .XX±0.03 .XXX±0.012			莱尔微波 Lair Microwave www.lairmw.com sales@lairmw.com		P/N: LM-PZQ-0326		
	Approvals	DATE	0.3~26.5GHz 偏置器 Bias Tee				
HOLE DIAMETER .35 TO 3.20 3.21 TO 6.35 6.36 TO 12.70 12.71 TO 19.05 19.06 TO 25.40 25.41 TO 50.80	TOLERANCES +.05/- .02 +.10/- .03 +.15/- .03 +.20/- .03 +.25/- .03 +.30/- .03	DRWN	ENG	CHK	Q.A.	DATE	
				SIZE	CAGE NO	DWG NO.	REV
				A3			1
				SCALE	UNIT	SHEET 1 OF 1	
				3:2	mm		