

NOTES:UNLESS OTHERWISE SPECIFIED  
THIS IS A CAD GENERATED DRAWING,DO NOT REVISE MANUALLY

REVISION HISTORY					
ZONE	REV	DESCRIPTION	E.C.O.NO	DATE	APPROVED
	1	ENGINEERING RELEASE			

## LLF-1001

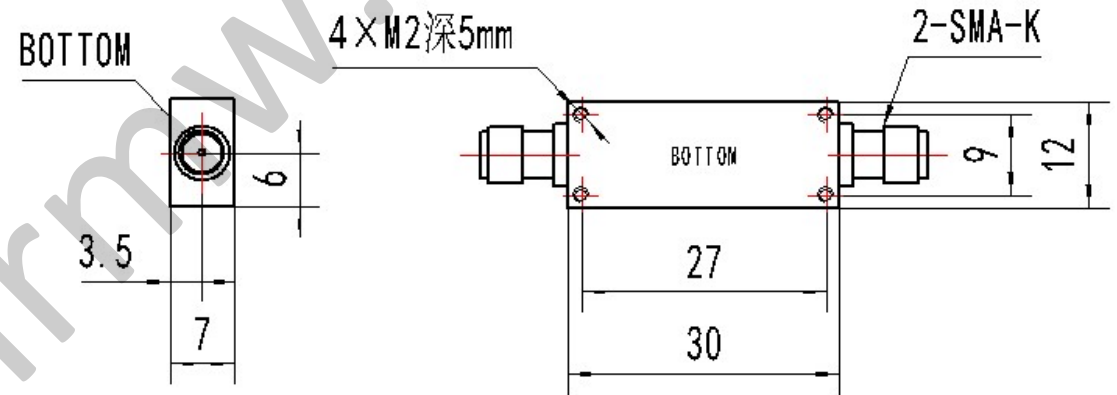
0.1 - 1500 MHz LC低通滤波器LC Low Pass Filter

### —电气技术参数 Electrical Specifications—

通带频率 Pass Band Frequency:	0.1 – 1500MHz
通带插损 Pass Band Insertion Loss:	1.5dB(Max.)
带外抑制 Rejection:	50dBc@1.7-4.0GHz(Min.)
驻波比 VSWR:	1.5:1 (Max.)
工作温度 Operation Temperature:	-55 ~ +85°C
存储温度 Storage Temperature:	-40 ~ +70°C

### —机械技术参数 Mechanical Specifications—

输入连接器 Input Interface:	SMA-K
输出连接器 Output Interface:	SMA-K



UNLESS OTHERWISE SPECIFIED DIMENSIONS ARE MILLIMETER TOLERANCES ARE: DECIMALS ANGLES FRACTIONS .XX±0.03 ±1' ±2/5 .XXX±0.012			莱尔微波 Laird Microwave www.lairmw.com sales@lairmw.com	P/N:LLF-1001																		
	Approvals	DATE		0.1-1500MHz LC低通滤波器LC Low Pass Filter																		
<table border="1"> <tr> <td>HOLE DIAMETER</td> <td>TOLERANCES</td> </tr> <tr> <td>.35 TO 3.20</td> <td>+.05/- .02</td> </tr> <tr> <td>3.21 TO 6.35</td> <td>+.10/- .03</td> </tr> <tr> <td>6.36 TO 12.70</td> <td>+.15/- .03</td> </tr> <tr> <td>12.71 TO 19.05</td> <td>+.20/- .03</td> </tr> <tr> <td>19.06 TO 25.40</td> <td>+.25/- .03</td> </tr> <tr> <td>25.41 TO 50.80</td> <td>+.30/- .03</td> </tr> </table>	HOLE DIAMETER	TOLERANCES	.35 TO 3.20	+.05/- .02	3.21 TO 6.35	+.10/- .03	6.36 TO 12.70	+.15/- .03	12.71 TO 19.05	+.20/- .03	19.06 TO 25.40	+.25/- .03	25.41 TO 50.80	+.30/- .03	DRWN		SIZE	A3	CAGE NO	DWG NO.	REV	1
	HOLE DIAMETER	TOLERANCES																				
.35 TO 3.20	+.05/- .02																					
3.21 TO 6.35	+.10/- .03																					
6.36 TO 12.70	+.15/- .03																					
12.71 TO 19.05	+.20/- .03																					
19.06 TO 25.40	+.25/- .03																					
25.41 TO 50.80	+.30/- .03																					
	ENG		SCALE	3:2	UNIT	mm	SHEET 1 OF 1															
	CHK																					
	Q.A.																					