

NOTES:UNLESSOTHERWISE SPECIFIED
THIS IS A CAD GENERATED DRAWING,DO NOT REVISE MANUALLY

REVISION HISTORY					
ZONE	REV	DESCRIPTION	E.C.O.NO	DATE	APPROVED
	1	ENGINEERING RELEASE			

LHF-1001

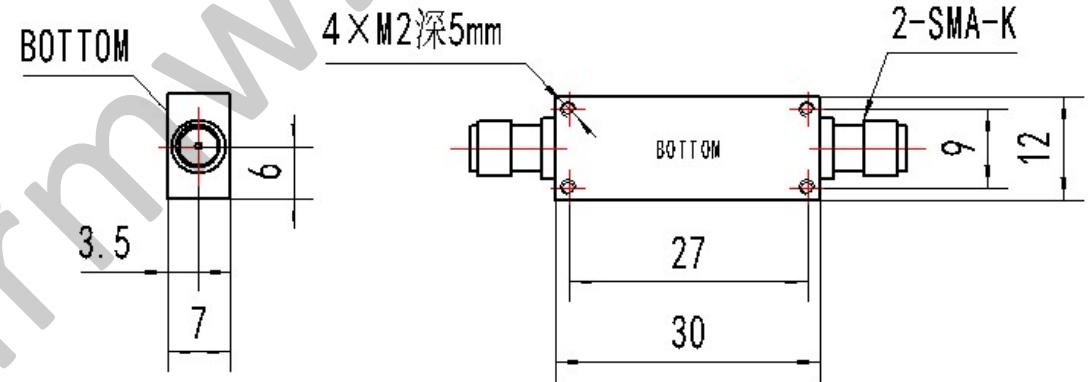
1700 - 13000 MHz LC高通滤波器LC High Pass Filter

—电气技术参数 Electrical Specifications—

通带频率 Pass Band Frequency:	1700 – 13000MHz
通带插损 Pass Band Insertion Loss:	1.5dB(Max.)
带外抑制 Rejection:	50dBc@DC-1500MHz(Min.)
驻波比 VSWR:	1.5:1 (Max.)
工作温度 Operation Temperature:	-55 ~ +85°C
存储温度 Storage Temperature:	-40 ~ +70°C

—机械技术参数 Mechanical Specifications—

输入连接器 Input Interface:	SMA-K
输出连接器 Output Interface:	SMA-K



UNLESS OTHERWISE SPECIFIED DIMENSIONS ARE MILLIMETER TOLERANCES ARE: DECIMALS ANGLES FRACTIONS .XX±0.03 ±1' ±2/5 .XXX±0.012			莱尔微波 www.lairmw.com sales@lairmw.com	P/N:LHF-1001																						
	<table border="1"> <tr> <td>DRWN</td> <td>DATE</td> </tr> <tr> <td>ENG</td> <td></td> </tr> <tr> <td>CHK</td> <td></td> </tr> <tr> <td>Q.A.</td> <td></td> </tr> </table>	DRWN		DATE	ENG		CHK		Q.A.		<table border="1"> <tr> <td colspan="2">1700-13000MHz LC高通滤波器LC High Pass Filter</td> </tr> <tr> <td>SIZE</td> <td>REV</td> </tr> <tr> <td>A3</td> <td>1</td> </tr> </table>		1700-13000MHz LC高通滤波器LC High Pass Filter		SIZE	REV	A3	1								
DRWN	DATE																									
ENG																										
CHK																										
Q.A.																										
1700-13000MHz LC高通滤波器LC High Pass Filter																										
SIZE	REV																									
A3	1																									
<table border="1"> <tr> <td>HOLE DIAMETER</td> <td>TOLERANCES</td> </tr> <tr> <td>.35 TO 3.20</td> <td>+.05/- .02</td> </tr> <tr> <td>3.21 TO 6.35</td> <td>+.10/- .03</td> </tr> <tr> <td>6.36 TO 12.70</td> <td>+.15/- .03</td> </tr> <tr> <td>12.71 TO 19.05</td> <td>+.20/- .03</td> </tr> <tr> <td>19.06 TO 25.40</td> <td>+.25/- .03</td> </tr> <tr> <td>25.41 TO 50.80</td> <td>+.30/- .03</td> </tr> </table>	HOLE DIAMETER	TOLERANCES	.35 TO 3.20	+.05/- .02	3.21 TO 6.35	+.10/- .03	6.36 TO 12.70	+.15/- .03	12.71 TO 19.05	+.20/- .03	19.06 TO 25.40	+.25/- .03	25.41 TO 50.80	+.30/- .03	<table border="1"> <tr> <td>SCALE</td> <td>UNIT</td> <td>DWG NO.</td> <td>REV</td> </tr> <tr> <td>3:2</td> <td>mm</td> <td></td> <td>1</td> </tr> </table>		SCALE	UNIT	DWG NO.	REV	3:2	mm		1	SHEET 1 OF 1	
HOLE DIAMETER	TOLERANCES																									
.35 TO 3.20	+.05/- .02																									
3.21 TO 6.35	+.10/- .03																									
6.36 TO 12.70	+.15/- .03																									
12.71 TO 19.05	+.20/- .03																									
19.06 TO 25.40	+.25/- .03																									
25.41 TO 50.80	+.30/- .03																									
SCALE	UNIT	DWG NO.	REV																							
3:2	mm		1																							