

NOTES: UNLESS OTHERWISE SPECIFIED
THIS IS A CAD GENERATED DRAWING, DO NOT REVISE MANUALLY

| REVISION HISTORY | | | | | |
|------------------|-----|---------------------|----------|------|----------|
| ZONE | REV | DESCRIPTION | E.C.O.NO | DATE | APPROVED |
| | 1 | ENGINEERING RELEASE | | | |

LFC-5056

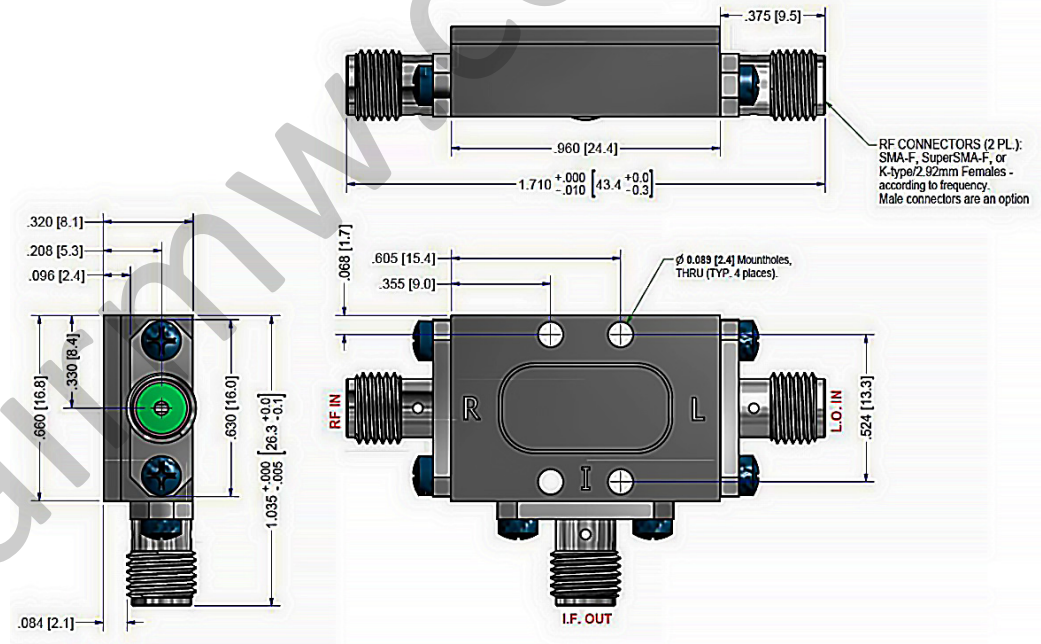
20 – 32 GHz 混频器 Frequency Mixer

—电气技术参数 Electrical Specifications—

| | |
|-----------------------------|--------------|
| 射频范围 RF Range: | 20 – 32GHz |
| 本振范围 LO Range: | 20 – 32GHz |
| 中频范围 IF Range: | DC – 10GHz |
| LO-RF 隔离度 LO-RF Isolation: | 36dB |
| LO-IF 隔离度 LO-IF Isolation: | 36dB |
| RF-IF 隔离度 RF-IF Isolation: | 26dB |
| 变频损耗 Conversion Loss: | 7dB |
| 本振功率 LO Power: | 13dBm |
| 输入功率三阶截断点 IIP3: | 18dBm |
| 工作温度 Operation Temperature: | -40 ~ +85°C |
| 存储温度 Storage Temperature: | -65 ~ +150°C |

—机械技术参数 Mechanical Specifications—

| | |
|---------------------------------|-------|
| RF 连接器 RF Interface: | SMA-F |
| LO 连接器 LO Interface: | SMA-F |
| IF 连接器 IF Interface: | SMA-F |
| 尺寸 Size(excluding connectors) : | / |



| | | | | | | | | | | | | | | | | | | | | | | | | | | | | | |
|---|------------|---------------|------------|-------------|------------|---------------|------------|---------------|------------|----------------|------------|----------------|------------|----------------|------------|---|--|------|--|-----|--|-----|--|------|--|--|--|--|--|
| UNLESS OTHERWISE SPECIFIED DIMENSIONS ARE MILLIMETER TOLERANCES ARE: DECIMALS ANGLES FRACTIONS .XX±0.03 ±1' ±2/5 .XXX±0.012 | | | | | | P/N: LFC-5056 | | | | | | | | | | | | | | | | | | | | | | | |
| <table border="1"> <tr> <td>HOLE DIAMETER</td> <td>TOLERANCES</td> </tr> <tr> <td>.35 TO 3.20</td> <td>+.05/- .02</td> </tr> <tr> <td>3.21 TO 6.35</td> <td>+.10/- .03</td> </tr> <tr> <td>6.36 TO 12.70</td> <td>+.15/- .03</td> </tr> <tr> <td>12.71 TO 19.05</td> <td>+.20/- .03</td> </tr> <tr> <td>19.06 TO 25.40</td> <td>+.25/- .03</td> </tr> <tr> <td>25.41 TO 50.80</td> <td>+.30/- .03</td> </tr> </table> | | HOLE DIAMETER | TOLERANCES | .35 TO 3.20 | +.05/- .02 | 3.21 TO 6.35 | +.10/- .03 | 6.36 TO 12.70 | +.15/- .03 | 12.71 TO 19.05 | +.20/- .03 | 19.06 TO 25.40 | +.25/- .03 | 25.41 TO 50.80 | +.30/- .03 | <table border="1"> <tr> <td>DRWN</td> <td></td> </tr> <tr> <td>ENG</td> <td></td> </tr> <tr> <td>CHK</td> <td></td> </tr> <tr> <td>Q.A.</td> <td></td> </tr> </table> | | DRWN | | ENG | | CHK | | Q.A. | | <p align="center">20 – 32 GHz 混频器 Frequency Mixer 本振功率 LO Power 13 dBm</p> | | | |
| HOLE DIAMETER | TOLERANCES | | | | | | | | | | | | | | | | | | | | | | | | | | | | |
| .35 TO 3.20 | +.05/- .02 | | | | | | | | | | | | | | | | | | | | | | | | | | | | |
| 3.21 TO 6.35 | +.10/- .03 | | | | | | | | | | | | | | | | | | | | | | | | | | | | |
| 6.36 TO 12.70 | +.15/- .03 | | | | | | | | | | | | | | | | | | | | | | | | | | | | |
| 12.71 TO 19.05 | +.20/- .03 | | | | | | | | | | | | | | | | | | | | | | | | | | | | |
| 19.06 TO 25.40 | +.25/- .03 | | | | | | | | | | | | | | | | | | | | | | | | | | | | |
| 25.41 TO 50.80 | +.30/- .03 | | | | | | | | | | | | | | | | | | | | | | | | | | | | |
| DRWN | | | | | | | | | | | | | | | | | | | | | | | | | | | | | |
| ENG | | | | | | | | | | | | | | | | | | | | | | | | | | | | | |
| CHK | | | | | | | | | | | | | | | | | | | | | | | | | | | | | |
| Q.A. | | | | | | | | | | | | | | | | | | | | | | | | | | | | | |
| | | SIZE | CAGE NO | DWG NO. | REV | | | | | | | | | | | | | | | | | | | | | | | | |
| | | A3 | | | 1 | | | | | | | | | | | | | | | | | | | | | | | | |
| | | SCALE | UNIT | SHEET | | 1 OF 1 | | | | | | | | | | | | | | | | | | | | | | | |
| | | 3:2 | mm | | | | | | | | | | | | | | | | | | | | | | | | | | |