

NOTES: UNLESS OTHERWISE SPECIFIED  
THIS IS A CAD GENERATED DRAWING, DO NOT REVISE MANUALLY

REVISION HISTORY					
ZONE	REV	DESCRIPTION	E.C.O.NO	DATE	APPROVED
	1	ENGINEERING RELEASE			

## LFC-5054

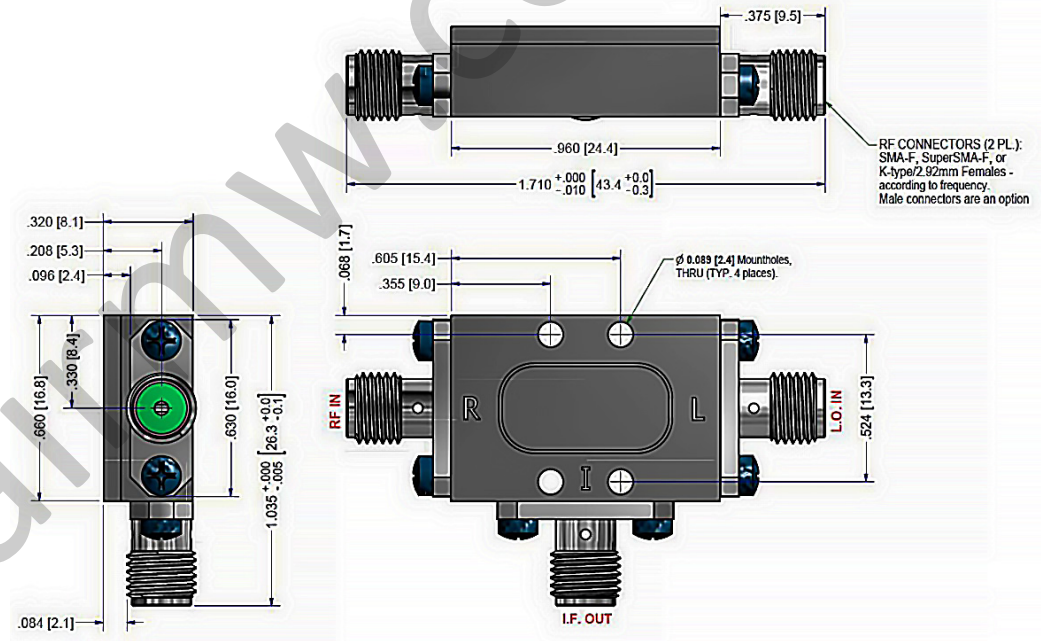
11 – 21 GHz 混频器 Frequency Mixer

### —电气技术参数 Electrical Specifications—

射频范围 RF Range:	11 – 21GHz
本振范围 LO Range:	11 – 21GHz
中频范围 IF Range:	DC – 6GHz
LO-RF 隔离度 LO-RF Isolation:	43dB
LO-IF 隔离度 LO-IF Isolation:	38dB
RF-IF 隔离度 RF-IF Isolation:	25dB
变频损耗 Conversion Loss:	6dB
本振功率 LO Power:	13dBm
输入功率三阶截断点 IIP3:	16dBm
工作温度 Operation Temperature:	-40 ~ +85°C
存储温度 Storage Temperature:	-65 ~ +150°C

### —机械技术参数 Mechanical Specifications—

RF 连接器 RF Interface:	SMA-F
LO 连接器 LO Interface:	SMA-F
IF 连接器 IF Interface:	SMA-F
尺寸 Size(excluding connectors) :	/



RF CONNECTORS (2 PL):  
SMA-F, SuperSMA-F, or  
K-type/2.92mm Females -  
according to frequency.  
Male connectors are an option

UNLESS OTHERWISE SPECIFIED DIMENSIONS ARE MILLIMETER TOLERANCES ARE: DECIMALS ANGLES FRACTIONS .XX±0.03 ±1' ±2/5 .XXX±0.012				莱尔微波 www.lairmw.com sales@lairmw.com		P/N: LFC-5054																																							
<table border="1"> <tr> <td>HOLE DIAMETER</td> <td>TOLERANCES</td> </tr> <tr> <td>.35 TO 3.20</td> <td>+0.05/-0.02</td> </tr> <tr> <td>3.21 TO 6.35</td> <td>+0.10/-0.03</td> </tr> <tr> <td>6.36 TO 12.70</td> <td>+0.15/-0.03</td> </tr> <tr> <td>12.71 TO 19.05</td> <td>+0.20/-0.03</td> </tr> <tr> <td>19.06 TO 25.40</td> <td>+0.25/-0.03</td> </tr> <tr> <td>25.41 TO 50.80</td> <td>+0.30/-0.03</td> </tr> </table>		HOLE DIAMETER	TOLERANCES	.35 TO 3.20	+0.05/-0.02	3.21 TO 6.35	+0.10/-0.03	6.36 TO 12.70	+0.15/-0.03	12.71 TO 19.05	+0.20/-0.03	19.06 TO 25.40	+0.25/-0.03	25.41 TO 50.80	+0.30/-0.03	<table border="1"> <tr> <td>DRWN</td> <td></td> </tr> <tr> <td>ENG</td> <td></td> </tr> <tr> <td>CHK</td> <td></td> </tr> <tr> <td>Q.A.</td> <td></td> </tr> </table>		DRWN		ENG		CHK		Q.A.		<p align="center">11 – 21 GHz 混频器 Frequency Mixer 本振功率 LO Power 13 dBm</p> <table border="1"> <tr> <td>SIZE</td> <td>CAGE NO</td> <td>DWG NO.</td> <td>REV</td> </tr> <tr> <td>A3</td> <td></td> <td></td> <td>1</td> </tr> <tr> <td>SCALE</td> <td>UNIT</td> <td colspan="2">SHEET 1 OF 1</td> </tr> <tr> <td>3:2</td> <td>mm</td> <td colspan="2"></td> </tr> </table>				SIZE	CAGE NO	DWG NO.	REV	A3			1	SCALE	UNIT	SHEET 1 OF 1		3:2	mm		
HOLE DIAMETER	TOLERANCES																																												
.35 TO 3.20	+0.05/-0.02																																												
3.21 TO 6.35	+0.10/-0.03																																												
6.36 TO 12.70	+0.15/-0.03																																												
12.71 TO 19.05	+0.20/-0.03																																												
19.06 TO 25.40	+0.25/-0.03																																												
25.41 TO 50.80	+0.30/-0.03																																												
DRWN																																													
ENG																																													
CHK																																													
Q.A.																																													
SIZE	CAGE NO	DWG NO.	REV																																										
A3			1																																										
SCALE	UNIT	SHEET 1 OF 1																																											
3:2	mm																																												