

NOTES: UNLESS OTHERWISE SPECIFIED
THIS IS A CAD GENERATED DRAWING, DO NOT REVISE MANUALLY

REVISION HISTORY					
ZONE	REV	DESCRIPTION	E.C.O.NO	DATE	APPROVED
	1	ENGINEERING RELEASE			

LFC-5053

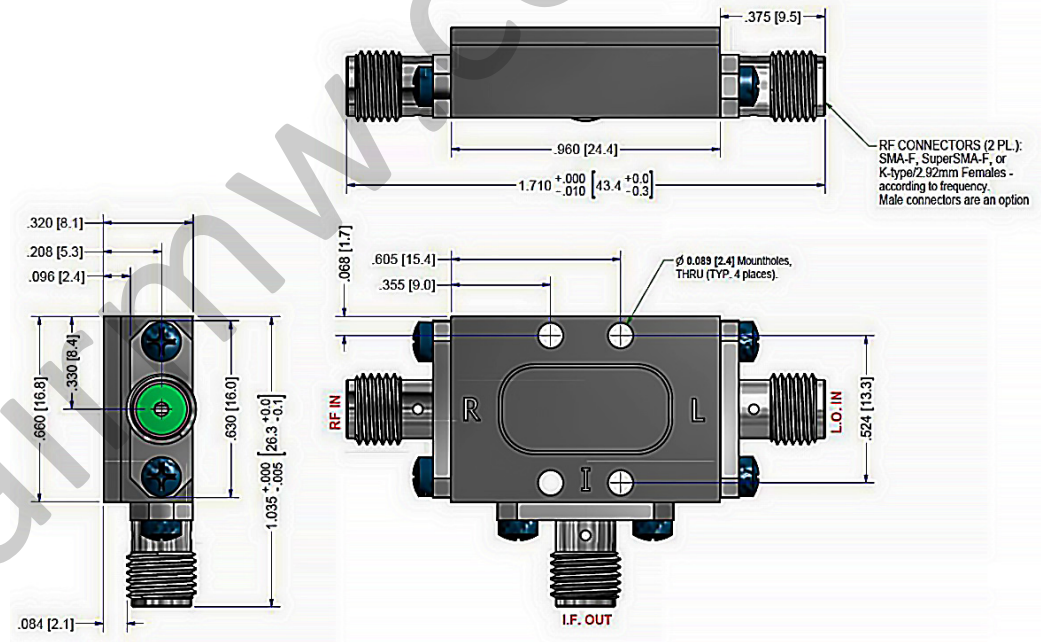
6 – 14 GHz 混频器 Frequency Mixer

—电气技术参数 Electrical Specifications—

射频范围 RF Range:	6 – 14GHz
本振范围 LO Range:	6 – 14GHz
中频范围 IF Range:	DC – 5GHz
LO-RF 隔离度 LO-RF Isolation:	43dB
LO-IF 隔离度 LO-IF Isolation:	37dB
RF-IF 隔离度 RF-IF Isolation:	22dB
变频损耗 Conversion Loss:	6.5dB
本振功率 LO Power:	13dBm
输入功率三阶截断点 IIP3:	16dBm
工作温度 Operation Temperature:	-40 ~ +85°C
存储温度 Storage Temperature:	-65 ~ +150°C

—机械技术参数 Mechanical Specifications—

RF 连接器 RF Interface:	SMA-F
LO 连接器 LO Interface:	SMA-F
IF 连接器 IF Interface:	SMA-F
尺寸 Size(excluding connectors) :	/



UNLESS OTHERWISE SPECIFIED DIMENSIONS ARE MILLIMETER TOLERANCES ARE: DECIMALS ANGLES FRACTIONS .X±0.1 ±1' ±2/5 .XX±0.03 .XXX±0.012						P/N: LFC-5053															
<table border="1"> <tr> <td>HOLE DIAMETER</td> <td>TOLERANCES</td> </tr> <tr> <td>.35 TO 3.20</td> <td>+0.05/-0.02</td> </tr> <tr> <td>3.21 TO 6.35</td> <td>+0.10/-0.03</td> </tr> <tr> <td>6.36 TO 12.70</td> <td>+0.15/-0.03</td> </tr> <tr> <td>12.71 TO 19.05</td> <td>+0.20/-0.03</td> </tr> <tr> <td>19.06 TO 25.40</td> <td>+0.25/-0.03</td> </tr> <tr> <td>25.41 TO 50.80</td> <td>+0.30/-0.03</td> </tr> </table>		HOLE DIAMETER	TOLERANCES	.35 TO 3.20	+0.05/-0.02	3.21 TO 6.35	+0.10/-0.03	6.36 TO 12.70	+0.15/-0.03	12.71 TO 19.05	+0.20/-0.03	19.06 TO 25.40	+0.25/-0.03	25.41 TO 50.80	+0.30/-0.03			<p>6 – 14 GHz 混频器 Frequency Mixer 本振功率 LO Power 13 dBm</p>			
HOLE DIAMETER	TOLERANCES																				
.35 TO 3.20	+0.05/-0.02																				
3.21 TO 6.35	+0.10/-0.03																				
6.36 TO 12.70	+0.15/-0.03																				
12.71 TO 19.05	+0.20/-0.03																				
19.06 TO 25.40	+0.25/-0.03																				
25.41 TO 50.80	+0.30/-0.03																				
				SIZE	CAGE NO	DWG NO.	REV														
				A3			1														
				SCALE	UNIT	SHEET 1 OF 1															
				3:2	mm																