

NOTES: UNLESS OTHERWISE SPECIFIED
THIS IS A CAD GENERATED DRAWING, DO NOT REVISE MANUALLY

REVISION HISTORY					
ZONE	REV	DESCRIPTION	E.C.O.NO	DATE	APPROVED
	1	ENGINEERING RELEASE			

LFC-5048

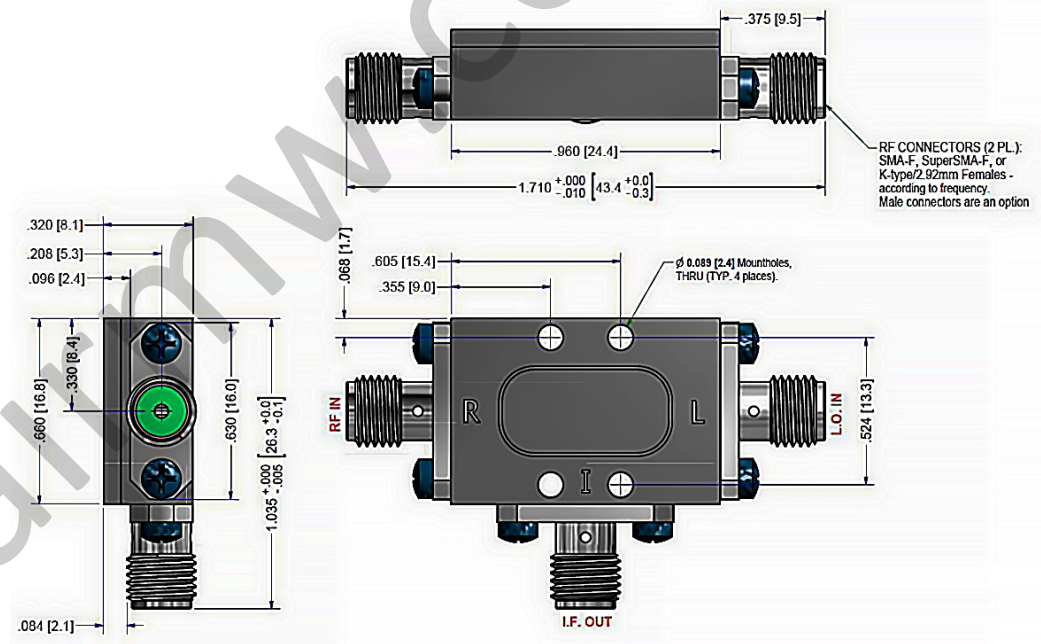
5 – 12 GHz 混频器 Frequency Mixer

—电气技术参数 Electrical Specifications—

射频范围 RF Range:	5 – 12GHz
本振范围 LO Range:	5 – 12GHz
中频范围 IF Range:	DC – 4GHz
LO-RF 隔离度 LO-RF Isolation:	25dB
LO-IF 隔离度 LO-IF Isolation:	28dB
RF-IF 隔离度 RF-IF Isolation:	25dB
变频损耗 Conversion Loss:	8.5dB
本振功率 LO Power:	10dBm
输入功率三阶截断点 IIP3:	16dBm
工作温度 Operation Temperature:	-40 ~ +85°C
存储温度 Storage Temperature:	-65 ~ +150°C

—机械技术参数 Mechanical Specifications—

RF 连接器 RF Interface:	SMA-F
LO 连接器 LO Interface:	SMA-F
IF 连接器 IF Interface:	SMA-F
尺寸 Size(excluding connectors):	/



UNLESS OTHERWISE SPECIFIED DIMENSIONS ARE MILLIMETER TOLERANCES ARE: DECIMALS ANGLES FRACTIONS .XX±0.03 ±1' ±2/5 .XXX±0.012				 www.lairmw.com sales@lairmw.com		P/N: LFC-5048	
HOLE DIAMETER .35 TO 3.20 3.21 TO 6.35 6.36 TO 12.70 12.71 TO 19.05 19.06 TO 25.40 25.41 TO 50.80		TOLERANCES +.05/- .02 +.10/- .03 +.15/- .03 +.20/- .03 +.25/- .03 +.30/- .03		Approvals DRWN ENG CHK Q.A.		DATE 5 – 12 GHz 混频器 Frequency Mixer 本振功率 LO Power 10 dBm	
				SIZE A3 SCALE 3:2 CAGE NO UNIT mm		DWG NO. SHEET 1 OF 1	
				REV 1			