

NOTES: UNLESS OTHERWISE SPECIFIED
THIS IS A CAD GENERATED DRAWING, DO NOT REVISE MANUALLY

REVISION HISTORY					
ZONE	REV	DESCRIPTION	E.C.O.NO	DATE	APPROVED
	1	ENGINEERING RELEASE			

LFC-5047

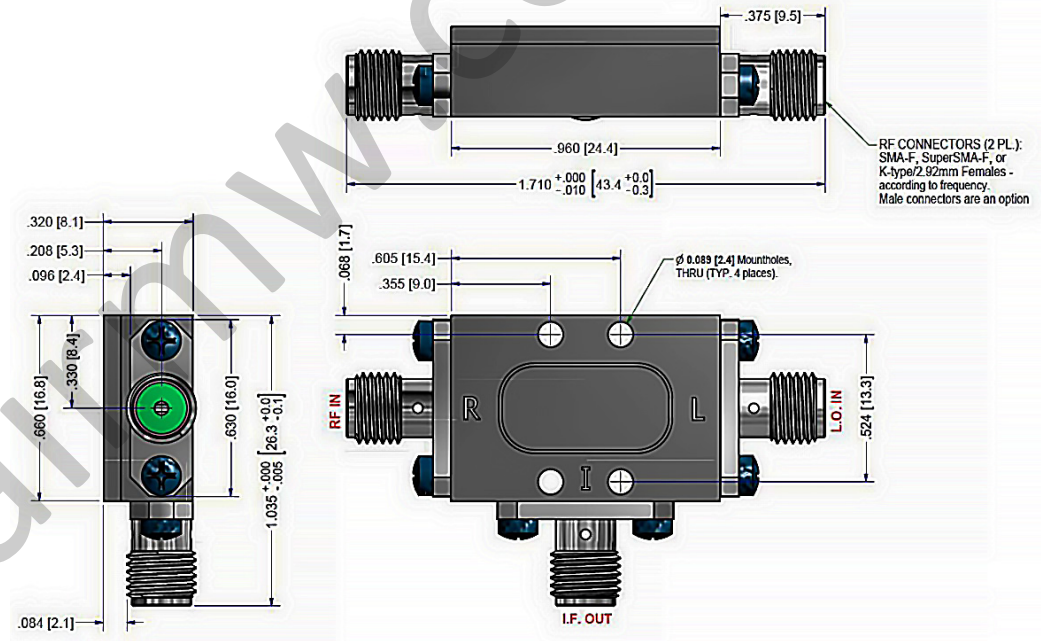
10 – 40 GHz 混频器 Frequency Mixer

—电气技术参数 Electrical Specifications—

射频范围 RF Range:	10 – 40GHz
本振范围 LO Range:	10 – 40GHz
中频范围 IF Range:	DC – 15GHz
LO-RF 隔离度 LO-RF Isolation:	35dB
LO-IF 隔离度 LO-IF Isolation:	20dB
RF-IF 隔离度 RF-IF Isolation:	25dB
变频损耗 Conversion Loss:	9dB
本振功率 LO Power:	15dBm
输入功率三阶截断点 IIP3:	20dBm
工作温度 Operation Temperature:	-40 ~ +85°C
存储温度 Storage Temperature:	-65 ~ +150°C

—机械技术参数 Mechanical Specifications—

RF 连接器 RF Interface:	K-2.92mm-F
LO 连接器 LO Interface:	K-2.92mm-F
IF 连接器 IF Interface:	SMA-F
尺寸 Size(excluding connectors) :	/



UNLESS OTHERWISE SPECIFIED DIMENSIONS ARE MILLIMETER TOLERANCES ARE: DECIMALS ANGLES FRACTIONS .XX±0.03 ±1' ±2/5 .XXX±0.012				 www.lairmw.com sales@lairmw.com		P/N: LFC-5047															
<table border="1"> <tr> <td>DRWN</td> <td>DATE</td> </tr> <tr> <td>ENG</td> <td></td> </tr> <tr> <td>CHK</td> <td></td> </tr> <tr> <td>Q.A.</td> <td></td> </tr> </table>		DRWN	DATE	ENG		CHK		Q.A.		<p align="center">10 – 40 GHz 混频器 Frequency Mixer 本振功率 LO Power 15 dBm</p>											
DRWN	DATE																				
ENG																					
CHK																					
Q.A.																					
<table border="1"> <tr> <td>HOLE DIAMETER</td> <td>TOLERANCES</td> </tr> <tr> <td>.35 TO 3.20</td> <td>+0.5/- .02</td> </tr> <tr> <td>3.21 TO 6.35</td> <td>+1.0/- .03</td> </tr> <tr> <td>6.36 TO 12.70</td> <td>+1.5/- .03</td> </tr> <tr> <td>12.71 TO 19.05</td> <td>+2.0/- .03</td> </tr> <tr> <td>19.06 TO 25.40</td> <td>+2.5/- .03</td> </tr> <tr> <td>25.41 TO 50.80</td> <td>+3.0/- .03</td> </tr> </table>		HOLE DIAMETER	TOLERANCES	.35 TO 3.20	+0.5/- .02	3.21 TO 6.35	+1.0/- .03	6.36 TO 12.70	+1.5/- .03	12.71 TO 19.05	+2.0/- .03	19.06 TO 25.40	+2.5/- .03	25.41 TO 50.80	+3.0/- .03	SIZE	CAGE NO	DWG NO.	REV	1	
HOLE DIAMETER	TOLERANCES																				
.35 TO 3.20	+0.5/- .02																				
3.21 TO 6.35	+1.0/- .03																				
6.36 TO 12.70	+1.5/- .03																				
12.71 TO 19.05	+2.0/- .03																				
19.06 TO 25.40	+2.5/- .03																				
25.41 TO 50.80	+3.0/- .03																				
		A3																			
		SCALE	UNIT	SHEET 1 OF 1																	
		3:2	mm																		