

NOTES:UNLESS OTHERWISE SPECIFIED  
THIS IS A CAD GENERATED DRAWING,DO NOT REVISE MANUALLY

REVISION HISTORY					
ZONE	REV	DESCRIPTION	E.C.O.NO	DATE	APPROVED
	1	ENGINEERING RELEASE			

## LFC-5045

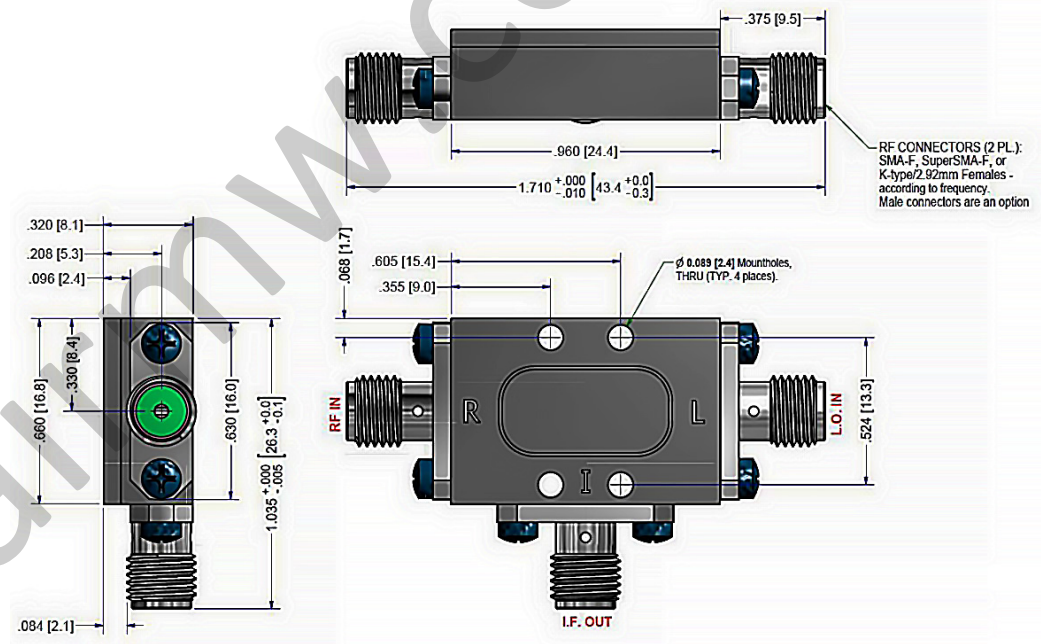
16 – 30 GHz 混频器 Frequency Mixer

### —电气技术参数 Electrical Specifications—

射频范围 RF Range:	16 – 30GHz
本振范围 LO Range:	16 – 30GHz
中频范围 IF Range:	DC – 8GHz
LO-RF 隔离度 LO-RF Isolation:	40dB
LO-IF 隔离度 LO-IF Isolation:	32dB
RF-IF 隔离度 RF-IF Isolation:	25dB
变频损耗 Conversion Loss:	9dB
本振功率 LO Power:	13dBm
输入功率三阶截断点 IIP3:	21dBm
工作温度 Operation Temperature:	-40 ~ +85°C
存储温度 Storage Temperature:	-65 ~ +150°C

### —机械技术参数 Mechanical Specifications—

RF 连接器 RF Interface:	K-2.92mm-F
LO 连接器 LO Interface:	K-2.92mm-F
IF 连接器 IF Interface:	SMA-F
尺寸 Size(excluding connectors) :	/



UNLESS OTHERWISE SPECIFIED DIMENSIONS ARE MILLIMETER TOLERANCES ARE: DECIMALS ANGLES FRACTIONS .XX±0.03 ±1' ±2/5 .XXX±0.012				 www.lairmw.com sales@lairmw.com		P/N: LFC-5045	
HOLE DIAMETER .35 TO 3.20 3.21 TO 6.35 6.36 TO 12.70 12.71 TO 19.05 19.06 TO 25.40 25.41 TO 50.80		TOLERANCES +.05/- .02 +.10/- .03 +.15/- .03 +.20/- .03 +.25/- .03 +.30/- .03		Approvals DATE DRWN ENG CHK Q.A.		16 – 30 GHz 混频器 Frequency Mixer 本振功率 LO Power 13 dBm	
				SIZE A3	CAGE NO	DWG NO.	REV 1
				SCALE 3:2	UNIT mm	SHEET 1 OF 1	