

NOTES:UNLESS OTHERWISE SPECIFIED  
THIS IS A CAD GENERATED DRAWING,DO NOT REVISE MANUALLY

| REVISION HISTORY |     |                     |          |      |          |
|------------------|-----|---------------------|----------|------|----------|
| ZONE             | REV | DESCRIPTION         | E.C.O.NO | DATE | APPROVED |
|                  | 1   | ENGINEERING RELEASE |          |      |          |

## LFC-5043

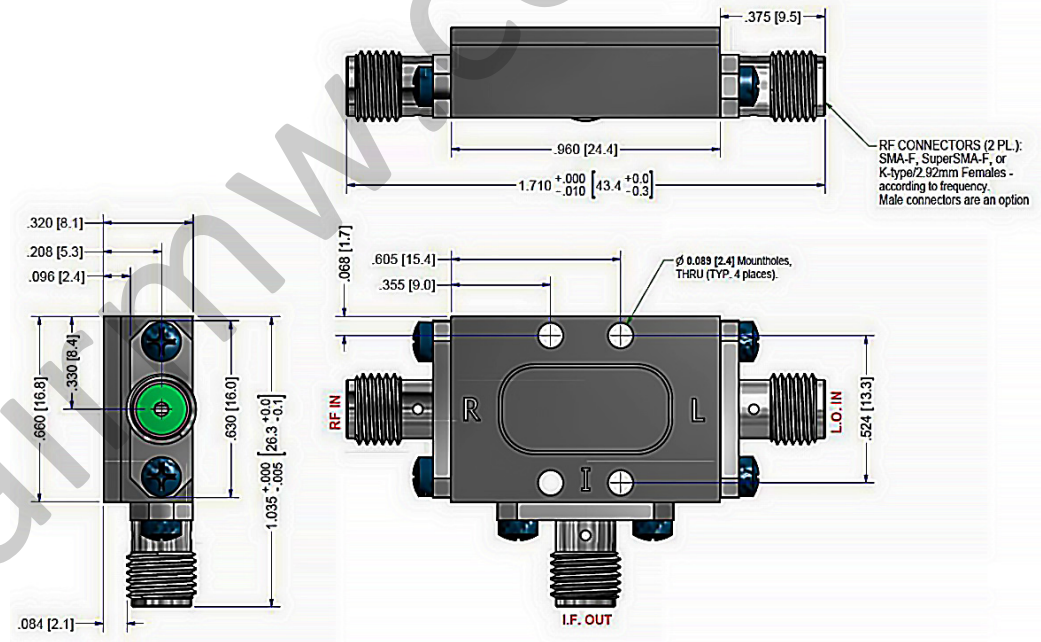
11 – 20 GHz 混频器 Frequency Mixer

### —电气技术参数 Electrical Specifications—

|                             |              |
|-----------------------------|--------------|
| 射频范围 RF Range:              | 11 – 20GHz   |
| 本振范围 LO Range:              | 11 – 20GHz   |
| 中频范围 IF Range:              | DC – 6GHz    |
| LO-RF 隔离度 LO-RF Isolation:  | 46dB         |
| LO-IF 隔离度 LO-IF Isolation:  | 40dB         |
| RF-IF 隔离度 RF-IF Isolation:  | 25dB         |
| 变频损耗 Conversion Loss:       | 8dB          |
| 本振功率 LO Power:              | 13dBm        |
| 输入功率三阶截断点 IIP3:             | 18dBm        |
| 工作温度 Operation Temperature: | -40 ~ +85°C  |
| 存储温度 Storage Temperature:   | -65 ~ +150°C |

### —机械技术参数 Mechanical Specifications—

|                                 |       |
|---------------------------------|-------|
| RF 连接器 RF Interface:            | SMA-F |
| LO 连接器 LO Interface:            | SMA-F |
| IF 连接器 IF Interface:            | SMA-F |
| 尺寸 Size(excluding connectors) : | /     |



|  |  |                                     |   |           |         |              |       |
|--|--|-------------------------------------|---|-----------|---------|--------------|-------|
| UNLESS OTHERWISE SPECIFIED<br>DIMENSIONS ARE MILLIMETER<br>TOLERANCES ARE:<br>DECIMALS ANGLES FRACTIONS<br>.X±0.1 ±1' ±2/5<br>.XX±0.03<br>.XXX±0.012 |  | <br>www.lairmw.com sales@lairmw.com | P/N: LFC-5043   |           |         |              |       |
|  |  |                                     | 11 – 20 GHz 混频器 Frequency Mixer<br>本振功率 LO Power 13 dBm |           |         |              |       |
| HOLE DIAMETER<br>.35 TO 3.20<br>3.21 TO 6.35<br>6.36 TO 12.70<br>12.71 TO 19.05<br>19.06 TO 25.40<br>25.41 TO 50.80                                  | TOLERANCES<br>+.05/- .02<br>+.10/- .03<br>+.15/- .03<br>+.20/- .03<br>+.25/- .03<br>+.30/- .03 | DRWN                                | DATE  | SIZE A3   | CAGE NO | DWG NO.      | REV 1 |
|  |  | ENG                                 |   | SCALE 3:2 | UNIT mm | SHEET 1 OF 1 |       |
|  |  | CHK                                 |   |           |         |              |       |
|  |  | Q.A.                                |   |           |         |              |       |