

NOTES:UNLESS OTHERWISE SPECIFIED
THIS IS A CAD GENERATED DRAWING,DO NOT REVISE MANUALLY

REVISION HISTORY					
ZONE	REV	DESCRIPTION	E.C.O.NO	DATE	APPROVED
	1	ENGINEERING RELEASE			

LFC-5041

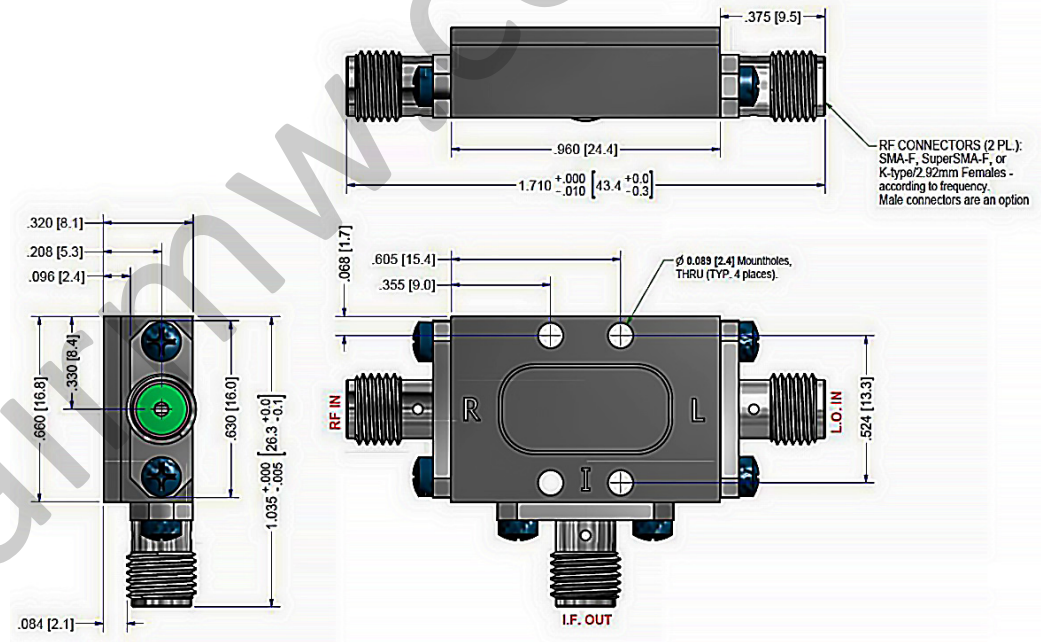
7 – 14 GHz 混频器 Frequency Mixer

—电气技术参数 Electrical Specifications—

射频范围 RF Range:	7 – 14GHz
本振范围 LO Range:	7 – 14GHz
中频范围 IF Range:	DC – 5GHz
LO-RF 隔离度 LO-RF Isolation:	50dB
LO-IF 隔离度 LO-IF Isolation:	34dB
RF-IF 隔离度 RF-IF Isolation:	22dB
变频损耗 Conversion Loss:	8dB
本振功率 LO Power:	13dBm
输入功率三阶截断点 IIP3:	22dBm
工作温度 Operation Temperature:	-40 ~ +85°C
存储温度 Storage Temperature:	-65 ~ +150°C

—机械技术参数 Mechanical Specifications—

RF 连接器 RF Interface:	SMA-F
LO 连接器 LO Interface:	SMA-F
IF 连接器 IF Interface:	SMA-F
尺寸 Size(excluding connectors) :	/



UNLESS OTHERWISE SPECIFIED DIMENSIONS ARE MILLIMETER TOLERANCES ARE: DECIMALS ANGLES FRACTIONS .XX±0.03 ±1' ±2/5 .XXX±0.012				 www.lairmw.com sales@lairmw.com		P/N: LFC-5041																															
HOLE DIAMETER .35 TO 3.20 3.21 TO 6.35 6.36 TO 12.70 12.71 TO 19.05 19.06 TO 25.40 25.41 TO 50.80		TOLERANCES +.05/- .02 +.10/- .03 +.15/- .03 +.20/- .03 +.25/- .03 +.30/- .03		<table border="1"> <tr> <td>Approvals</td> <td>DATE</td> </tr> <tr> <td>DRWN</td> <td></td> </tr> <tr> <td>ENG</td> <td></td> </tr> <tr> <td>CHK</td> <td></td> </tr> <tr> <td>Q.A.</td> <td></td> </tr> </table>		Approvals	DATE	DRWN		ENG		CHK		Q.A.		<table border="1"> <tr> <td colspan="4">7 – 14 GHz 混频器 Frequency Mixer 本振功率 LO Power 13 dBm</td> </tr> <tr> <td>SIZE</td> <td>CAGE NO</td> <td>DWG NO.</td> <td>REV</td> </tr> <tr> <td>A3</td> <td></td> <td></td> <td>1</td> </tr> <tr> <td>SCALE</td> <td>UNIT</td> <td colspan="2">SHEET 1 OF 1</td> </tr> <tr> <td>3:2</td> <td>mm</td> <td colspan="2"></td> </tr> </table>		7 – 14 GHz 混频器 Frequency Mixer 本振功率 LO Power 13 dBm				SIZE	CAGE NO	DWG NO.	REV	A3			1	SCALE	UNIT	SHEET 1 OF 1		3:2	mm		
Approvals	DATE																																				
DRWN																																					
ENG																																					
CHK																																					
Q.A.																																					
7 – 14 GHz 混频器 Frequency Mixer 本振功率 LO Power 13 dBm																																					
SIZE	CAGE NO	DWG NO.	REV																																		
A3			1																																		
SCALE	UNIT	SHEET 1 OF 1																																			
3:2	mm																																				