

NOTES:UNLESSOTHERWISE SPECIFIED
THIS IS A CAD GENERATED DRAWING,DO NOT REVISE MANUALLY

REVISION HISTORY					
ZONE	REV	DESCRIPTION	E.C.O.NO	DATE	APPROVED
	1	ENGINEERING RELEASE			

LFC-5037

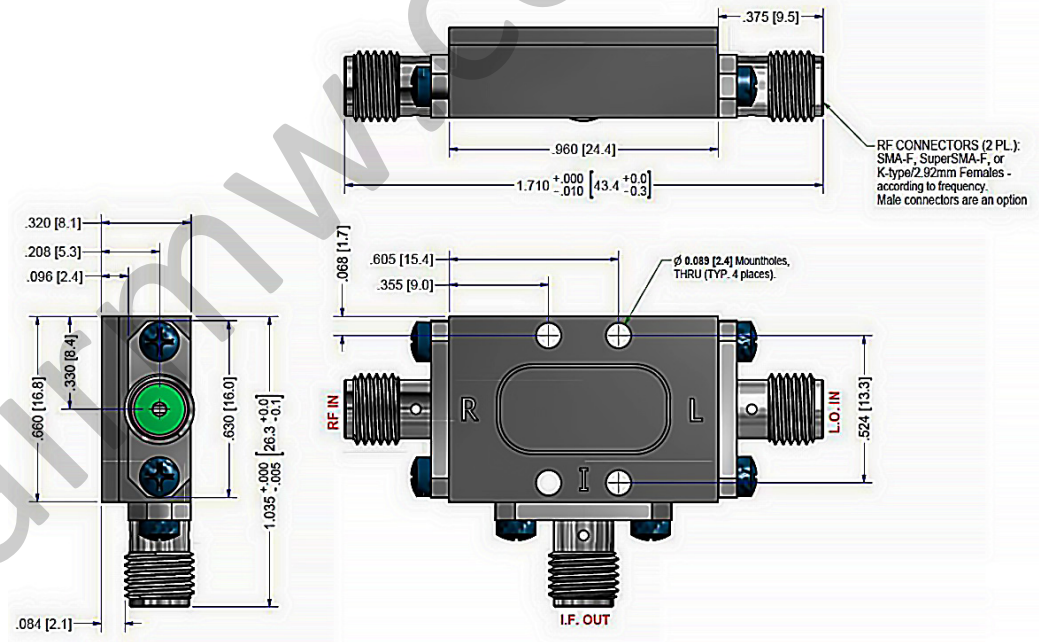
2.25 – 18 GHz 混频器 Frequency Mixer

—电气技术参数 Electrical Specifications—

射频范围 RF Range:	2.25 – 18GHz
本振范围 LO Range:	2.25 – 18GHz
中频范围 IF Range:	DC – 3GHz
LO-RF 隔离度 LO-RF Isolation:	35dB
LO-IF 隔离度 LO-IF Isolation:	20dB
RF-IF 隔离度 RF-IF Isolation:	12dB
变频损耗 Conversion Loss:	11dB
本振功率 LO Power:	13dBm
输入功率三阶截断点 IIP3:	20dBm
工作温度 Operation Temperature:	-55 ~ +85°C
存储温度 Storage Temperature:	-65 ~ +150°C

—机械技术参数 Mechanical Specifications—

RF 连接器 RF Interface:	SMA-F
LO 连接器 LO Interface:	SMA-F
IF 连接器 IF Interface:	SMA-F
尺寸 Size(excluding connectors) :	/



UNLESS OTHERWISE SPECIFIED DIMENSIONS ARE MILLIMETER TOLERANCES ARE: DECIMALS ANGLES FRACTIONS .X±0.1 ±1' ±2/5 .XX±0.03 .XXX±0.012				 www.lairmw.com sales@lairmw.com		P/N: LFC-5037																							
<table border="1"> <tr> <td>DRWN</td> <td>DATE</td> </tr> <tr> <td>ENG</td> <td></td> </tr> <tr> <td>CHK</td> <td></td> </tr> <tr> <td>Q.A.</td> <td></td> </tr> </table>		DRWN	DATE	ENG		CHK		Q.A.		<table border="1"> <tr> <td colspan="2">2.25 – 18 GHz 混频器 Frequency Mixer 本振功率 LO Power 13 dBm</td> </tr> <tr> <td>SIZE</td> <td>REV</td> </tr> <tr> <td>A3</td> <td>1</td> </tr> </table>		2.25 – 18 GHz 混频器 Frequency Mixer 本振功率 LO Power 13 dBm		SIZE	REV	A3	1	<table border="1"> <tr> <td>CAGE NO</td> <td>DWG NO.</td> </tr> <tr> <td>SCALE</td> <td>UNIT</td> </tr> <tr> <td>3:2</td> <td>mm</td> </tr> </table>		CAGE NO	DWG NO.	SCALE	UNIT	3:2	mm	<table border="1"> <tr> <td colspan="2">SHEET 1 OF 1</td> </tr> </table>		SHEET 1 OF 1	
DRWN	DATE																												
ENG																													
CHK																													
Q.A.																													
2.25 – 18 GHz 混频器 Frequency Mixer 本振功率 LO Power 13 dBm																													
SIZE	REV																												
A3	1																												
CAGE NO	DWG NO.																												
SCALE	UNIT																												
3:2	mm																												
SHEET 1 OF 1																													