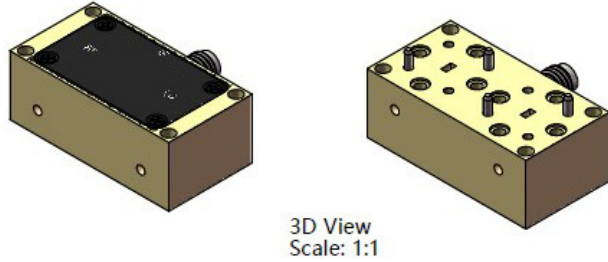
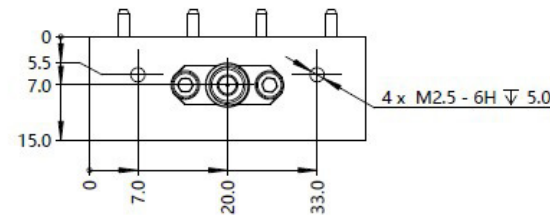
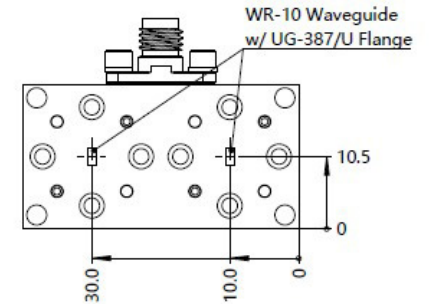
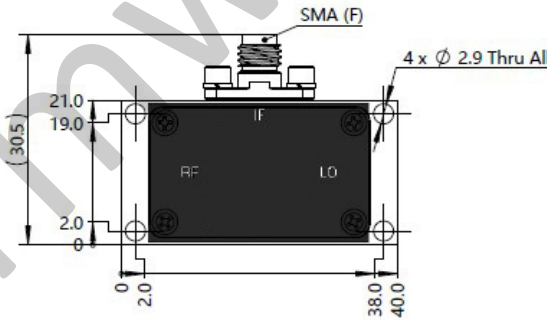
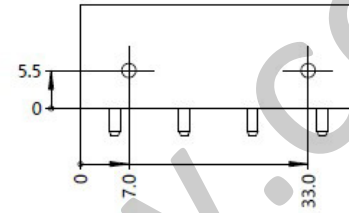


NOTES: UNLESS OTHERWISE SPECIFIED  
THIS IS A CAD GENERATED DRAWING, DO NOT REVISE MANUALLY

| REVISION HISTORY |     |                     |          |      |          |
|------------------|-----|---------------------|----------|------|----------|
| ZONE             | REV | DESCRIPTION         | E.C.O.NO | DATE | APPROVED |
|                  | 1   | ENGINEERING RELEASE |          |      |          |



3D View  
Scale: 1:1



## LFC-2012

75 – 110GHz 混频器 Frequency Mixer

### —电气技术参数 Electrical Specifications—

|                             |              |
|-----------------------------|--------------|
| 射频范围 RF Range:              | 75 – 110GHz  |
| 本振范围 LO Range:              | 75 – 110GHz  |
| 中频范围 IF Range:              | DC - 20GHz   |
| LO-RF 隔离度 LO-RF Isolation:  | 30dB(Typ)    |
| LO-IF 隔离度 LO-IF Isolation:  | /            |
| RF-IF 隔离度 RF-IF Isolation:  | /            |
| 变频损耗 Conversion Loss:       | 13dB(Typ)    |
| 本振功率 LO Power:              | 15dBm(Min)   |
| 输入P1dB IP1dB:               | 6dBm(Typ)    |
| 工作温度 Operation Temperature: | -55 ~ +85°C  |
| 存储温度 Storage Temperature:   | -65 ~ +150°C |

### —机械技术参数 Mechanical Specifications—

|                                 |                                   |
|---------------------------------|-----------------------------------|
| RF 连接器 RF Interface:            | WR-10 Waveguide w/UG-387/U Flange |
| LO 连接器 LO Interface:            | WR-10 Waveguide w/UG-387/U Flange |
| IF 连接器 IF Interface:            | SMA-F                             |
| 尺寸 Size(excluding connectors) : | 40x21x15mm                        |

|  |            |               |            |                                     |            |               |            |               |            |                |            |  |            |                |            |      |         |         |     |
|--|------------|---------------|------------|-------------------------------------|------------|---------------|------------|---------------|------------|----------------|------------|--|------------|----------------|------------|------|---------|---------|-----|
| UNLESS OTHERWISE SPECIFIED<br>DIMENSIONS ARE MILLIMETER<br>TOLERANCES ARE:<br>DECIMALS ANGLES FRACTIONS<br>.XX±0.03 ±1' ±2/5<br>.XXX±0.012   |            |               |            | <br>www.lairmw.com sales@lairmw.com |            | P/N: LFC-2012 |            |               |            |                |            |  |            |                |            |      |         |         |     |
| <table border="1"> <tr><td>Approvals</td><td>DATE</td></tr> <tr><td>DRWN</td><td></td></tr> <tr><td>ENG</td><td></td></tr> <tr><td>CHK</td><td></td></tr> <tr><td>Q.A.</td><td></td></tr> </table>   |            | Approvals     | DATE       | DRWN                                |            | ENG           |            | CHK           |            | Q.A.           |            | 75 – 110 GHz 混频器 Frequency Mixer<br>本振功率 LO Power 15 dBm |            |                |            |      |         |         |     |
| Approvals  | DATE       |               |            |                                     |            |               |            |               |            |                |            |  |            |                |            |      |         |         |     |
| DRWN   |            |               |            |                                     |            |               |            |               |            |                |            |  |            |                |            |      |         |         |     |
| ENG  |            |               |            |                                     |            |               |            |               |            |                |            |  |            |                |            |      |         |         |     |
| CHK  |            |               |            |                                     |            |               |            |               |            |                |            |  |            |                |            |      |         |         |     |
| Q.A.   |            |               |            |                                     |            |               |            |               |            |                |            |  |            |                |            |      |         |         |     |
| <table border="1"> <tr><td>HOLE DIAMETER</td><td>TOLERANCES</td></tr> <tr><td>.35 TO 3.20</td><td>+.05/- .02</td></tr> <tr><td>3.21 TO 6.35</td><td>+.10/- .03</td></tr> <tr><td>6.36 TO 12.70</td><td>+.15/- .03</td></tr> <tr><td>12.71 TO 19.05</td><td>+.20/- .03</td></tr> <tr><td>19.06 TO 25.40</td><td>+.25/- .03</td></tr> <tr><td>25.41 TO 50.80</td><td>+.30/- .03</td></tr> </table> |            | HOLE DIAMETER | TOLERANCES | .35 TO 3.20                         | +.05/- .02 | 3.21 TO 6.35  | +.10/- .03 | 6.36 TO 12.70 | +.15/- .03 | 12.71 TO 19.05 | +.20/- .03 | 19.06 TO 25.40   | +.25/- .03 | 25.41 TO 50.80 | +.30/- .03 | SIZE | CAGE NO | DWG NO. | REV |
| HOLE DIAMETER  | TOLERANCES |               |            |                                     |            |               |            |               |            |                |            |  |            |                |            |      |         |         |     |
| .35 TO 3.20  | +.05/- .02 |               |            |                                     |            |               |            |               |            |                |            |  |            |                |            |      |         |         |     |
| 3.21 TO 6.35   | +.10/- .03 |               |            |                                     |            |               |            |               |            |                |            |  |            |                |            |      |         |         |     |
| 6.36 TO 12.70  | +.15/- .03 |               |            |                                     |            |               |            |               |            |                |            |  |            |                |            |      |         |         |     |
| 12.71 TO 19.05   | +.20/- .03 |               |            |                                     |            |               |            |               |            |                |            |  |            |                |            |      |         |         |     |
| 19.06 TO 25.40   | +.25/- .03 |               |            |                                     |            |               |            |               |            |                |            |  |            |                |            |      |         |         |     |
| 25.41 TO 50.80   | +.30/- .03 |               |            |                                     |            |               |            |               |            |                |            |  |            |                |            |      |         |         |     |
|  |            | A3            |            |                                     | 1          |               |            |               |            |                |            |  |            |                |            |      |         |         |     |
|  |            | SCALE         | UNIT       | SHEET 1 OF 1                        |            |               |            |               |            |                |            |  |            |                |            |      |         |         |     |
|  |            | 3:2           | mm         |                                     |            |               |            |               |            |                |            |  |            |                |            |      |         |         |     |