

NOTES:UNLESS OTHERWISE SPECIFIED
THIS IS A CAD GENERATED DRAWING,DO NOT REVISE MANUALLY

REVISION HISTORY					
ZONE	REV	DESCRIPTION	E.C.O.NO	DATE	APPROVED
	1	ENGINEERING RELEASE			

LFC-2008

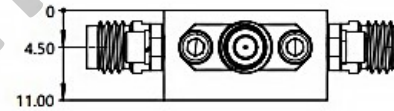
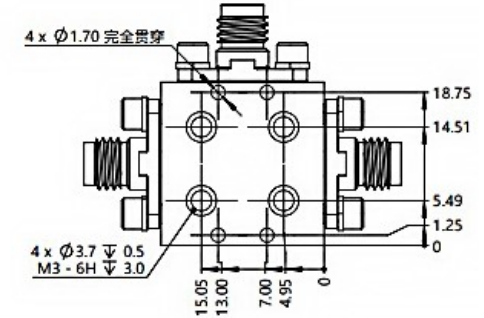
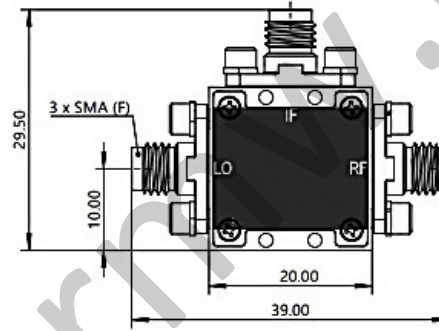
3 – 10 GHz 混频器 Frequency Mixer

—电气技术参数 Electrical Specifications—

射频范围 RF Range:	3 – 10GHz
本振范围 LO Range:	3 – 10GHz
中频范围 IF Range:	DC – 4GHz
LO-RF 隔离度 LO-RF Isolation:	45dB
LO-IF 隔离度 LO-IF Isolation:	43dB
RF-IF 隔离度 RF-IF Isolation:	26dB
变频损耗 Conversion Loss:	9dB
本振功率 LO Power:	17dBm
输入功率三阶截断点 IIP3:	25dBm
工作温度 Operation Temperature:	-40 ~ +85°C
存储温度 Storage Temperature:	-65 ~ +125°C

—机械技术参数 Mechanical Specifications—

RF 连接器 RF Interface:	SMA-F
LO 连接器 LO Interface:	SMA-F
IF 连接器 IF Interface:	SMA-F
尺寸 Size(excluding connectors) :	20x20x11mm



UNLESS OTHERWISE SPECIFIED DIMENSIONS ARE MILLIMETER TOLERANCES ARE: DECIMALS ANGLES FRACTIONS .XX±0.03 ±1' ±2/5 .XXX±0.012				P/N: LFC-2008																
		www.lairmw.com sales@lairmw.com		3 – 10 GHz 混频器 Frequency Mixer 本振功率 LO Power 17 dBm																
<table border="1"> <tr> <td>HOLE DIAMETER</td> <td>TOLERANCES</td> </tr> <tr> <td>.35 TO 3.20</td> <td>+0.05/-0.02</td> </tr> <tr> <td>3.21 TO 6.35</td> <td>+0.10/-0.03</td> </tr> <tr> <td>6.36 TO 12.70</td> <td>+0.15/-0.03</td> </tr> <tr> <td>12.71 TO 19.05</td> <td>+0.20/-0.03</td> </tr> <tr> <td>19.06 TO 25.40</td> <td>+0.25/-0.03</td> </tr> <tr> <td>25.41 TO 50.80</td> <td>+0.30/-0.03</td> </tr> </table>	HOLE DIAMETER	TOLERANCES	.35 TO 3.20	+0.05/-0.02	3.21 TO 6.35	+0.10/-0.03	6.36 TO 12.70	+0.15/-0.03	12.71 TO 19.05	+0.20/-0.03	19.06 TO 25.40	+0.25/-0.03	25.41 TO 50.80	+0.30/-0.03	Approvals DRWN ENG CHK Q.A.	DATE 	SIZE A3	CAGE NO 	DWG NO. 	REV 1
	HOLE DIAMETER	TOLERANCES																		
.35 TO 3.20	+0.05/-0.02																			
3.21 TO 6.35	+0.10/-0.03																			
6.36 TO 12.70	+0.15/-0.03																			
12.71 TO 19.05	+0.20/-0.03																			
19.06 TO 25.40	+0.25/-0.03																			
25.41 TO 50.80	+0.30/-0.03																			
SCALE 3:2	UNIT mm	SHEET 1 OF 1																		