

NOTES:UNLESS OTHERWISE SPECIFIED
THIS IS A CAD GENERATED DRAWING,DO NOT REVISE MANUALLY

REVISION HISTORY					
ZONE	REV	DESCRIPTION	E.C.O.NO	DATE	APPROVED
	1	ENGINEERING RELEASE			

LFC-2006

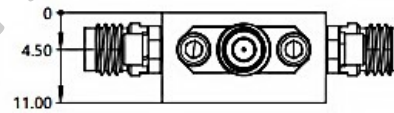
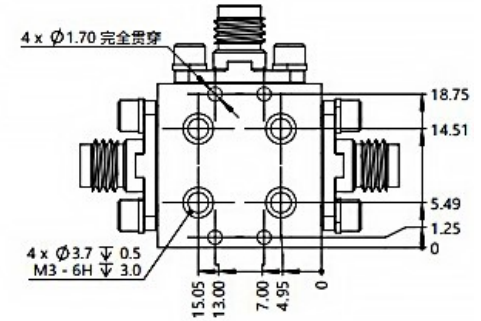
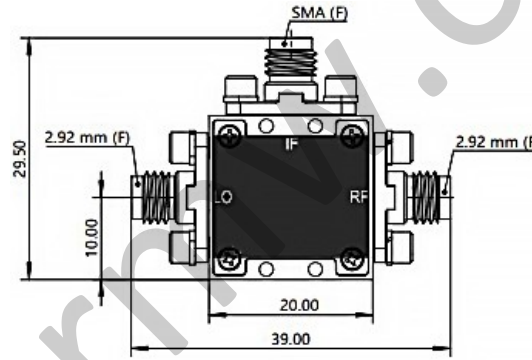
18 – 42 GHz 混频器 Frequency Mixer

—电气技术参数 Electrical Specifications—

射频范围 RF Range:	18 – 42GHz
本振范围 LO Range:	18 – 42GHz
中频范围 IF Range:	DC – 18GHz
LO-RF 隔离度 LO-RF Isolation:	41dB
LO-IF 隔离度 LO-IF Isolation:	32dB
RF-IF 隔离度 RF-IF Isolation:	17dB
变频损耗 Conversion Loss:	9dB
本振功率 LO Power:	13dBm
输入功率三阶截断点 IIP3:	21dBm
工作温度 Operation Temperature:	-40 ~ +85°C
存储温度 Storage Temperature:	-65 ~ +125°C

—机械技术参数 Mechanical Specifications—

RF 连接器 RF Interface:	2.92mm-F
LO 连接器 LO Interface:	2.92mm-F
IF 连接器 IF Interface:	SMA-F
尺寸 Size(excluding connectors) :	20x20x11mm



UNLESS OTHERWISE SPECIFIED DIMENSIONS ARE MILLIMETER TOLERANCES ARE: DECIMALS ANGLES FRACTIONS .X±0.1 ±1' ±2/5 .XX±0.03 .XXX±0.012					P/N: LFC-2006	
	Approvals	DATE	www.lairmw.com sales@lairmw.com			
HOLE DIAMETER .35 TO 3.20 3.21 TO 6.35 6.36 TO 12.70 12.71 TO 19.05 19.06 TO 25.40 25.41 TO 50.80	TOLERANCES +.05/- .02 +.10/- .03 +.15/- .03 +.20/- .03 +.25/- .03 +.30/- .03	DRWN	18 – 42 GHz 混频器 Frequency Mixer 本振功率 LO Power 13 dBm			
		ENG	SIZE	CAGE NO	DWG NO.	REV
		CHK	A3			1
		Q.A.	SCALE	UNIT	SHEET 1 OF 1	
			3:2	mm		