

NOTES:UNLESS OTHERWISE SPECIFIED
THIS IS A CAD GENERATED DRAWING,DO NOT REVISE MANUALLY

REVISION HISTORY					
ZONE	REV	DESCRIPTION	E.C.O.NO	DATE	APPROVED
	1	ENGINEERING RELEASE			

LFC-2003

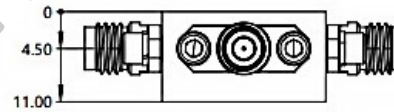
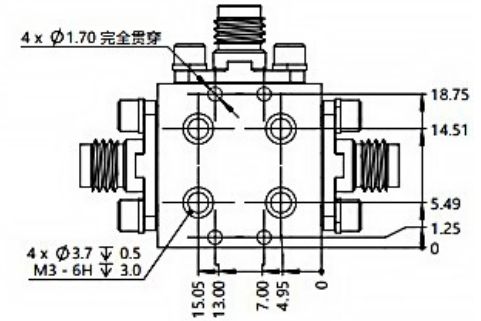
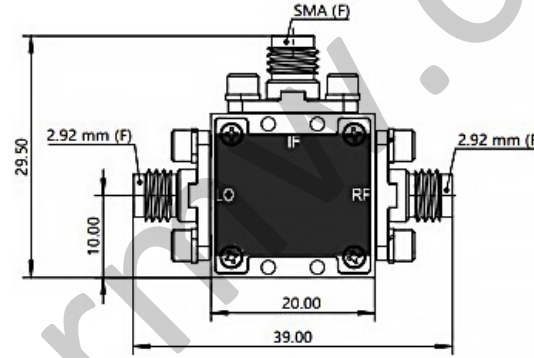
7 – 34 GHz 混频器 Frequency Mixer

—电气技术参数 Electrical Specifications—

射频范围 RF Range:	7 – 34GHz
本振范围 LO Range:	7 – 34GHz
中频范围 IF Range:	DC – 8GHz
LO-RF 隔离度 LO-RF Isolation:	32dB
LO-IF 隔离度 LO-IF Isolation:	32dB
RF-IF 隔离度 RF-IF Isolation:	20dB
变频损耗 Conversion Loss:	11dB
本振功率 LO Power:	16dBm
输入功率三阶截断点 IIP3:	20dBm
工作温度 Operation Temperature:	-40 ~ +85°C
存储温度 Storage Temperature:	-65 ~ +125°C

—机械技术参数 Mechanical Specifications—

RF 连接器 RF Interface:	2.92mm-F
LO 连接器 LO Interface:	2.92mm-F
IF 连接器 IF Interface:	SMA-F
尺寸 Size(excluding connectors) :	20x20x11mm



UNLESS OTHERWISE SPECIFIED DIMENSIONS ARE MILLIMETER TOLERANCES ARE: DECIMALS ANGLES FRACTIONS .XX±0.03 ±1' ±2/5 .XXX±0.012						P/N: LFC-2003													
				www.lairmw.com sales@lairmw.com		7 – 34 GHz 混频器 Frequency Mixer 本振功率 LO Power 16 dBm													
<table border="1"> <tr> <td>DRWN</td> <td>DATE</td> </tr> <tr> <td>ENG</td> <td></td> </tr> <tr> <td>CHK</td> <td></td> </tr> <tr> <td>Q.A.</td> <td></td> </tr> </table>		DRWN	DATE	ENG		CHK		Q.A.		SIZE	CAGE NO	DWG NO.	REV						
DRWN	DATE																		
ENG																			
CHK																			
Q.A.																			
<table border="1"> <tr> <td>HOLE DIAMETER</td> <td>TOLERANCES</td> </tr> <tr> <td>.35 TO 3.20</td> <td>+0.05/-0.02</td> </tr> <tr> <td>3.21 TO 6.35</td> <td>+0.10/-0.03</td> </tr> <tr> <td>6.36 TO 12.70</td> <td>+0.15/-0.03</td> </tr> <tr> <td>12.71 TO 19.05</td> <td>+0.20/-0.03</td> </tr> <tr> <td>19.06 TO 25.40</td> <td>+0.25/-0.03</td> </tr> <tr> <td>25.41 TO 50.80</td> <td>+0.30/-0.03</td> </tr> </table>		HOLE DIAMETER	TOLERANCES	.35 TO 3.20	+0.05/-0.02	3.21 TO 6.35	+0.10/-0.03	6.36 TO 12.70	+0.15/-0.03	12.71 TO 19.05	+0.20/-0.03	19.06 TO 25.40	+0.25/-0.03	25.41 TO 50.80	+0.30/-0.03	A3			1
HOLE DIAMETER	TOLERANCES																		
.35 TO 3.20	+0.05/-0.02																		
3.21 TO 6.35	+0.10/-0.03																		
6.36 TO 12.70	+0.15/-0.03																		
12.71 TO 19.05	+0.20/-0.03																		
19.06 TO 25.40	+0.25/-0.03																		
25.41 TO 50.80	+0.30/-0.03																		
		SCALE	UNIT	SHEET 1 OF 1															
		3:2	mm																