

NOTES:UNLESS OTHERWISE SPECIFIED
THIS IS A CAD GENERATED DRAWING,DO NOT REVISE MANUALLY

REVISION HISTORY					
ZONE	REV	DESCRIPTION	E.C.O.NO	DATE	APPROVED
	1	ENGINEERING RELEASE			

LFC-0012

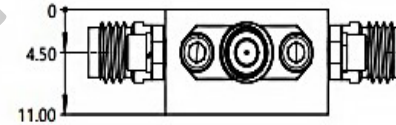
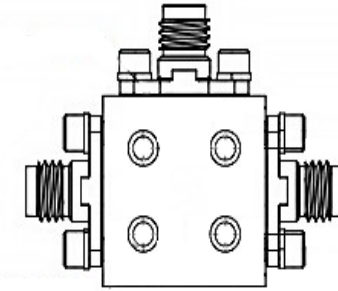
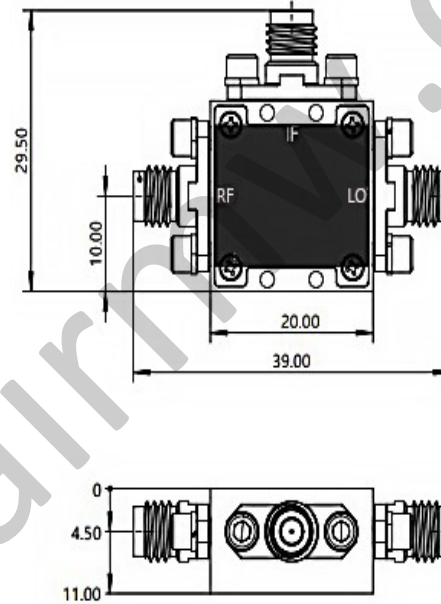
6 – 26 GHz 混频器 Frequency Mixer

—电气技术参数 Electrical Specifications—

射频范围 RF Range:	6 – 26GHz
本振范围 LO Range:	6 – 26GHz
中频范围 IF Range:	DC-12GHz
LO-RF 隔离度 LO-RF Isolation:	34dB
LO-IF 隔离度 LO-IF Isolation:	29dB
RF-IF 隔离度 RF-IF Isolation:	9dB
变频损耗 Conversion Loss:	10dB
本振功率 LO Power:	13dBm
输入P1dB Input P1dB:	14dBm
工作温度 Operation Temperature:	-55 ~ +85°C
存储温度 Storage Temperature:	-65 ~ +150°C

—机械技术参数 Mechanical Specifications—

RF 连接器 RF Interface:	3.5mm-F
LO 连接器 LO Interface:	3.5mm-F
IF 连接器 IF Interface:	3.5mm-F
尺寸 Size(excluding connectors) :	20x20x11mm



UNLESS OTHERWISE SPECIFIED DIMENSIONS ARE MILLIMETER TOLERANCES ARE: DECIMALS ANGLES FRACTIONS .XX±0.1 ±1' ±2/5 .XXX±0.03 .XXX±0.012		莱尔微波 www.lairmw.com sales@lairmw.com		P/N: LFC-0012			
		Approvals	DATE	6 – 26 GHz 混频器 Frequency Mixer 本振功率 LO Power 13 dBm			
HOLE DIAMETER .35 TO 3.20 3.21 TO 6.35 6.36 TO 12.70 12.71 TO 19.05 19.06 TO 25.40 25.41 TO 50.80	TOLERANCES +.05/- .02 +.10/- .03 +.15/- .03 +.20/- .03 +.25/- .03 +.30/- .03	DRWN		SIZE A3	CAGE NO	DWG NO.	REV 1
		ENG		SCALE 3:2	UNIT mm	SHEET 1 OF 1	
		CHK					
		Q.A.					