

NOTES:UNLESS OTHERWISE SPECIFIED
THIS IS A CAD GENERATED DRAWING,DO NOT REVISE MANUALLY

REVISION HISTORY					
ZONE	REV	DESCRIPTION	E.C.O.NO	DATE	APPROVED
	1	ENGINEERING RELEASE			

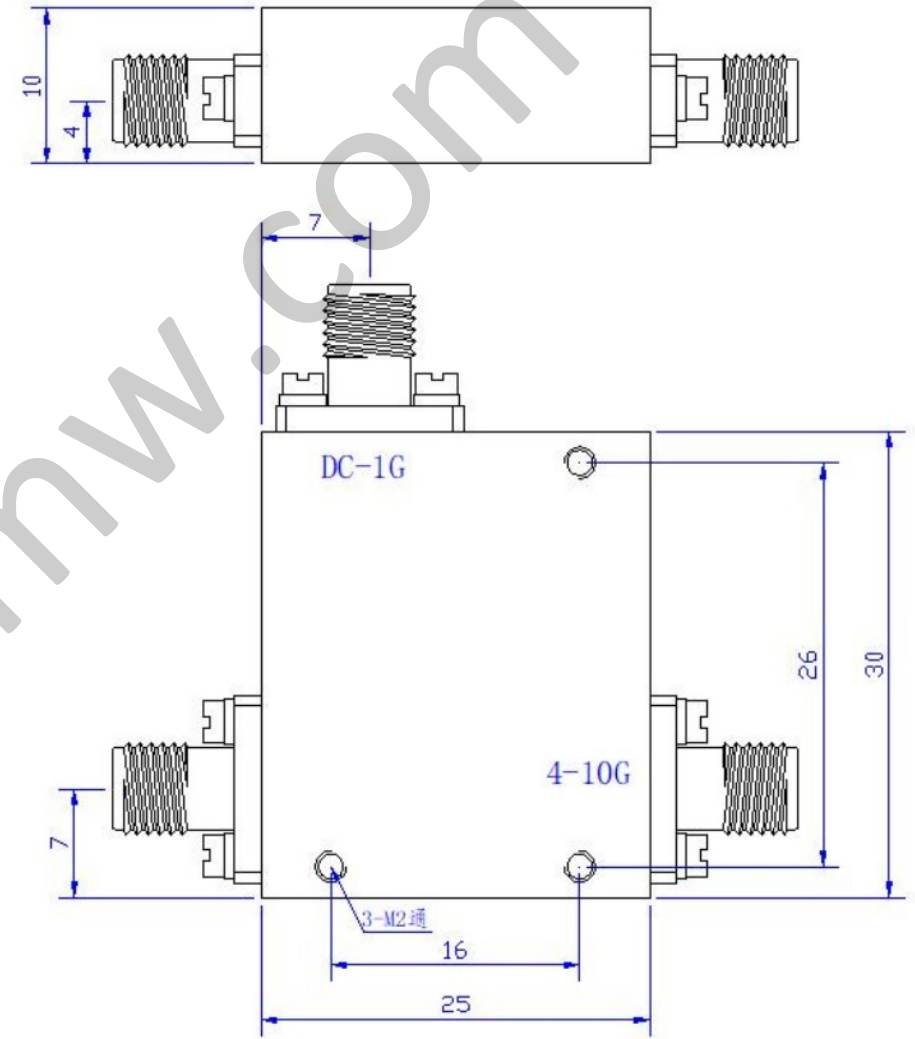
LDP-2001

—电气技术参数 Electrical Specifications—

通带 Passband:	通带一	通带二
通带频率 Passband Frequency:	DC~1.0GHz	4.0~10GHz
通带插损 Passband Insertion Loss:	0.5dB(Max)	0.6dB(Max)
抑制 Suppression:	≥20dB@4~10GHz	≥20dB@DC~1.0GHz
驻波 VSWR:	≤1.6:1	≤1.6:1
功率 Power:	5W	5W
阻抗 Impedance:	50Ω	50Ω
工作温度 Operation Temperature:	-40 ~ +70°C	-40 ~ +70°C
存储温度 Storage Temperature:	-55 ~ +85°C	-55 ~ +85°C

—机械技术参数 Mechanical Specifications—

输入连接器 Input Interface:	SMA-F
输出连接器 Output Interface:	SMA-F
尺寸 Size (excluding connectors):	/
重量 Weight:	/



UNLESS OTHERWISE SPECIFIED DIMENSIONS ARE MILLIMETER TOLERANCES ARE: DECIMALS ANGLES FRACTIONS .XX±0.03 ±1' ±2/5 .XXX±0.012					P/N: LDP-2001	
	Approvals		DATE		www.lairmw.com sales@lairmw.com	
DRWN		ENG		双工器 Duplexer		
CHK		Q.A.		SIZE A3	CAGE NO	DWG NO.
HOLE DIAMETER .35 TO 3.20 3.21 TO 6.35 6.36 TO 12.70 12.71 TO 19.05 19.06 TO 25.40 25.41 TO 50.80		TOLERANCES +0.05/-0.02 +0.10/-0.03 +0.15/-0.03 +0.20/-0.03 +0.25/-0.03 +0.30/-0.03		SCALE 3:2	UNIT mm	REV 1
				SHEET 1 OF 1		