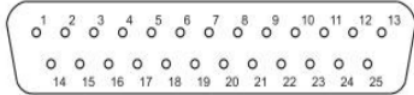
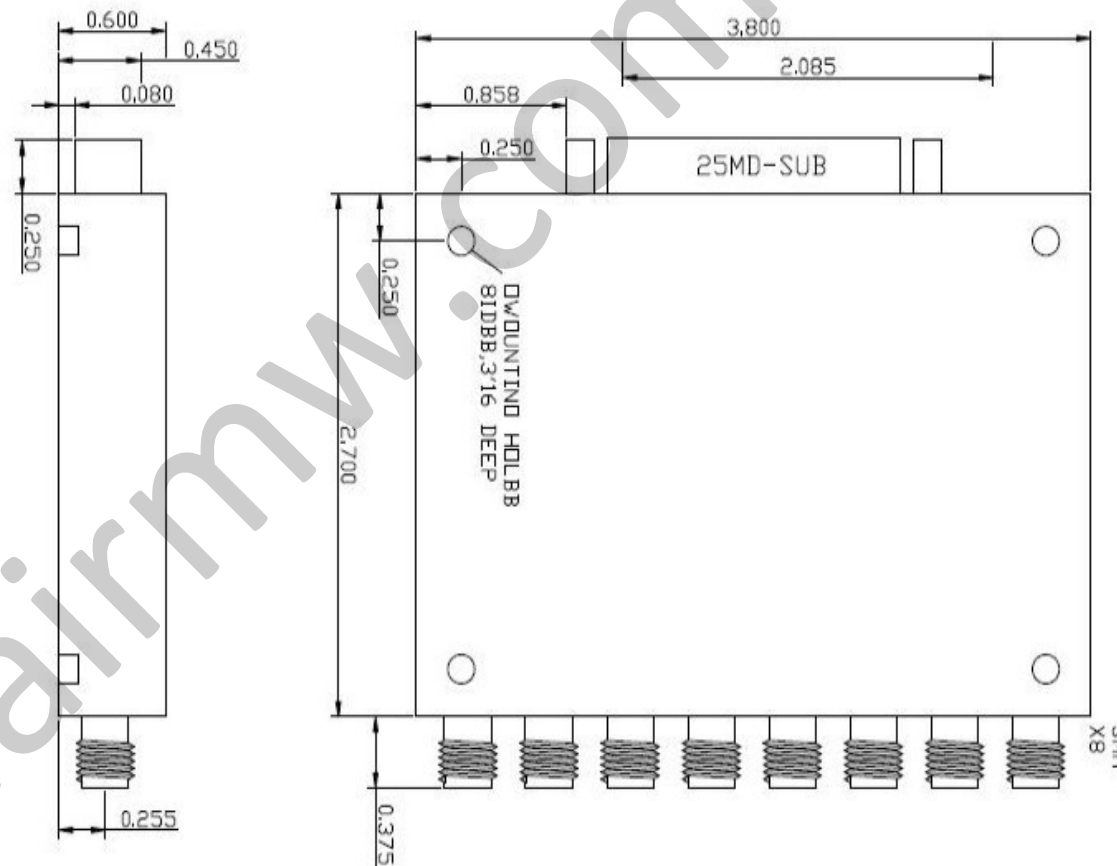


NOTES: UNLESS OTHERWISE SPECIFIED
THIS IS A CAD GENERATED DRAWING, DO NOT REVISE MANUALLY

REVISION HISTORY					
ZONE	REV	DESCRIPTION	E.C.O.NO	DATE	APPROVED
	1	ENGINEERING RELEASE			

直流连接器DC Connector PIN Assignment

Pin	Function	Description
14-17	+5V	
1-10	DO - D9	respectively, active high
22	DS	Device Select, active low
23	WE	Write Enable, active low
18-21	GND	
25	A0	"1" Channel select, active high
12	A1	"2" Channel select, active high
24	A2	"3" Channel select, active high
11	A3	"4" Channel select, active high
13	NC	

LDA-4032

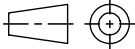

DC - 13.0GHz 数控衰减器 Digital Controlled Attenuator

—电气技术参数 Electrical Specifications—

频率范围 Frequency Range:	DC - 13.0GHz
衰减范围 Attenuation Range:	64dB
插入损耗 Insertion Loss:	5.5dB Typ
输入驻波比 Input VSWR:	1.35:1 Max
输出驻波比 Output VSWR:	1.35:1 Max
最小步进 Least Significant Bit (LSB):	0.0625dB
控制逻辑 Control Logic:	TTL
直流供电 Power Supply:	+5V@800mA
切换时间 Switching Time:	/
工作温度 Operating Temperature:	-25 ~ +85°C
存储温度 Storage Temperature:	-55 ~ +125°C

—机械技术参数 Mechanical Specification—

输入连接器 Input Interface:	SMA-F
输出连接器 Out Interface:	SMA-F
尺寸 Size (excluding connectors):	3.80x2.75x0.60 inches
直流连接器 DC Connector:	D-SUB 25 Pin

UNLESS OTHERWISE SPECIFIED DIMENSIONS ARE MILLIMETER TOLERANCES ARE: DECIMALS ANGLES FRACTIONS .XX±0.03 .XXX±0.012		 www.lairmw.com sales@lairmw.com	P/N: LDA-4032															
			Approvals	DATE														
<table border="1"> <tr> <td>HOLE DIAMETER</td> <td>TOLERANCES</td> </tr> <tr> <td>.35 TO 3.20</td> <td>+0.05/-0.02</td> </tr> <tr> <td>3.21 TO 6.35</td> <td>+0.10/-0.03</td> </tr> <tr> <td>6.36 TO 12.70</td> <td>+0.15/-0.03</td> </tr> <tr> <td>12.71 TO 19.05</td> <td>+0.20/-0.03</td> </tr> <tr> <td>19.06 TO 25.40</td> <td>+0.25/-0.03</td> </tr> <tr> <td>25.41 TO 50.80</td> <td>+0.30/-0.03</td> </tr> </table>	HOLE DIAMETER	TOLERANCES	.35 TO 3.20	+0.05/-0.02	3.21 TO 6.35	+0.10/-0.03	6.36 TO 12.70	+0.15/-0.03	12.71 TO 19.05	+0.20/-0.03	19.06 TO 25.40	+0.25/-0.03	25.41 TO 50.80	+0.30/-0.03	DRWN		DC-13.0 GHz 数控衰减器 Digital Controlled Attenuator 最小步进 LSB 0.0625dB	
	HOLE DIAMETER	TOLERANCES																
.35 TO 3.20	+0.05/-0.02																	
3.21 TO 6.35	+0.10/-0.03																	
6.36 TO 12.70	+0.15/-0.03																	
12.71 TO 19.05	+0.20/-0.03																	
19.06 TO 25.40	+0.25/-0.03																	
25.41 TO 50.80	+0.30/-0.03																	
ENG																		
CHK		SIZE	A3	CAGE NO		DWG NO.		REV	1									
Q.A.		SCALE	3:2	UNIT	mm	SHEET 1 OF 1												