

NOTES: UNLESS OTHERWISE SPECIFIED
THIS IS A CAD GENERATED DRAWING, DO NOT REVISE MANUALLY

REVISION HISTORY					
ZONE	REV	DESCRIPTION	E.C.O.NO	DATE	APPROVED
	1	ENGINEERING RELEASE			

真值表 Truth Table

Control TTL Input for 6 bits resolution						Attenuation
Bit 6	Bit 5	Bit 4	Bit 3	Bit 2	Bit 1	
0	0	0	0	0	0	Reference
0	0	0	0	0	1	1.0 dB
0	0	0	0	1	0	2.0 dB
0	0	0	1	0	0	4.0 dB
0	0	1	0	0	0	8.0 dB
0	1	0	0	0	0	16.0 dB
1	0	0	0	0	0	31.0 dB
1	1	1	1	1	1	62.0 dB

LDA-4030

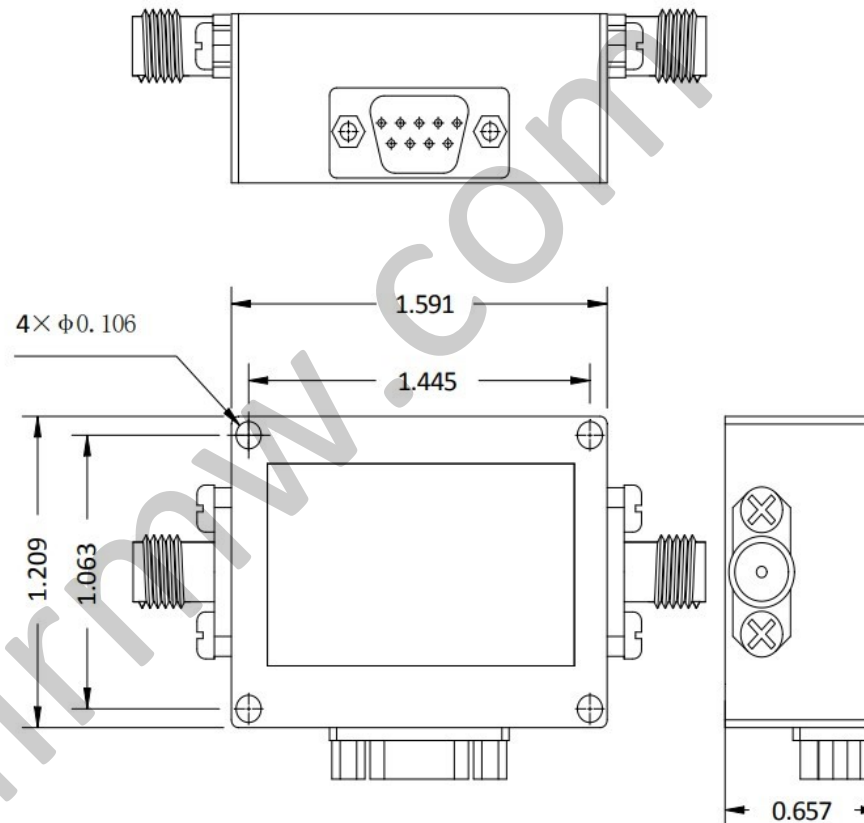
26.5 - 40.0GHz 数控衰减器 Digital Controlled Attenuator

—电气技术参数 Electrical Specifications—

频率范围 Frequency Range:	26.5 - 40.0GHz
衰减范围 Attenuation Range:	62dB Max
插入损耗 Insertion Loss:	13.0dB Max
输入驻波比 Input VSWR:	2.5:1 Max
输出驻波比 Output VSWR:	2.5:1 Max
最小步进 Least Significant Bit (LSB):	1dB
控制逻辑 Control Logic:	TTL
直流供电 Power Supply:	+5V@40mA Typ
切换时间 Switching Time:	500 ns Max
工作温度 Operating Temperature:	-45 ~ +85°C
存储温度 Storage Temperature:	-55 ~ +125°C

—机械技术参数 Mechanical Specification—

输入连接器 Input Interface:	SMA-F
输出连接器 Out Interface:	SMA-F
尺寸 Size (excluding connectors):	1.45x1.20x0.65 inches
直流连接器 DC Connector:	MICRO-D9-F

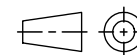


直流连接器 DC Connector PIN Assignment

Pin	Function	Pin Definition
1	+5V	
2	GND	
3-8	Bit1-Bit6	
9	NC	

UNLESS OTHERWISE SPECIFIED
DIMENSIONS ARE MILLIMETER
TOLERANCES ARE:
DECIMALS ANGLES FRACTIONS
.XX±0.1 ±1' ±2/5
.XXX±0.03
.XXX±0.012

HOLE DIAMETER	TOLERANCES
.35 TO 3.20	+0.05/-0.02
3.21 TO 6.35	+0.10/-0.03
6.36 TO 12.70	+0.15/-0.03
12.71 TO 19.05	+0.20/-0.03
19.06 TO 25.40	+0.25/-0.03
25.41 TO 50.80	+0.30/-0.03



Approvals

DATE

DRWN

ENG

CHK

Q.A.



www.lairmw.com sales@lairmw.com

P/N: LDA-4030

26.5-40.0 GHz 数控衰减器 Digital Controlled Attenuator
最小步进 LSB 1dB

SIZE	CAGE NO	DWG NO.	REV
A3			1
SCALE	UNIT	SHEET 1 OF 1	
3:2	mm		