

NOTES: UNLESS OTHERWISE SPECIFIED  
THIS IS A CAD GENERATED DRAWING, DO NOT REVISE MANUALLY

REVISION HISTORY					
ZONE	REV	DESCRIPTION	E.C.O.NO	DATE	APPROVED
	1	ENGINEERING RELEASE			

真值表 Truth Table

Control TTL Input for 5 bits resolution					Attenuation
Bit 5	Bit 4	Bit 3	Bit 2	Bit 1	
1	1	1	1	1	Reference
1	1	1	1	0	1.0 dB
1	1	1	0	1	2.0 dB
1	1	0	1	1	4.0 dB
1	0	1	1	1	8.0 dB
0	1	1	1	1	16.0 dB
0	0	0	0	0	31.0 dB

## LDA-4029

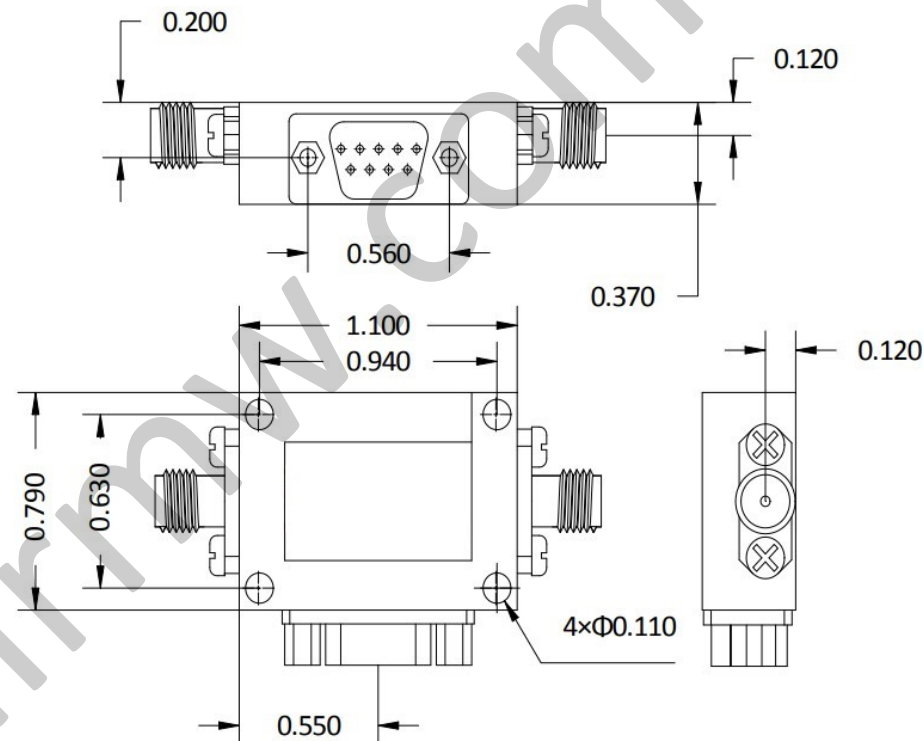
0.1 - 40.0GHz 数控衰减器 Digital Controlled Attenuator

### —电气技术参数 Electrical Specifications—

频率范围 Frequency Range:	0.1 - 40.0GHz
衰减范围 Attenuation Range:	31dB
插入损耗 Insertion Loss:	6.0dB Typ
输入驻波比 Input VSWR:	2.2:1 Max
输出驻波比 Output VSWR:	2.2:1 Max
最小步进 Least Significant Bit (LSB):	1dB
控制逻辑 Control Logic:	TTL
直流供电 Power Supply:	±5V@20mA Typ
切换时间 Switching Time:	200 ns Max
工作温度 Operating Temperature:	-45 ~ +85°C
存储温度 Storage Temperature:	-55 ~ +125°C

### —机械技术参数 Mechanical Specification—

输入连接器 Input Interface:	2.92mm-F
输出连接器 Out Interface:	2.92mm-F
尺寸 Size (excluding connectors):	1.10x0.79x0.37 inches
直流连接器 DC Connector:	MICRO-D9

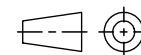


直流连接器 DC Connector PIN Assignment

Pin	Function	Pin Definition
1	+5V	
2	-5V	
3	GND	
4-8	C1-C5	
9	NC	

UNLESS OTHERWISE SPECIFIED  
DIMENSIONS ARE MILLIMETER  
TOLERANCES ARE:  
DECIMALS ANGLES FRACTIONS  
.XX±0.03 ±1' ±2/5  
.XXX±0.012

HOLE DIAMETER	TOLERANCES
.35 TO 3.20	+.05/-02
3.21 TO 6.35	+.10/-03
6.36 TO 12.70	+.15/-03
12.71 TO 19.05	+.20/-03
19.06 TO 25.40	+.25/-03
25.41 TO 50.80	+.30/-03



Approvals

DATE

DRWN

ENG

CHK

Q.A.



www.lairmw.com sales@lairmw.com

P/N: LDA-4029

0.1-40.0 GHz 数控衰减器 Digital Controlled Attenuator  
最小步进 LSB 1dB

SIZE	CAGE NO	DWG NO.	REV
A3			1
SCALE	UNIT	SHEET 1 OF 1	
3:2	mm		