

NOTES: UNLESS OTHERWISE SPECIFIED
THIS IS A CAD GENERATED DRAWING, DO NOT REVISE MANUALLY

| REVISION HISTORY | | | | | |
|------------------|-----|---------------------|----------|------|----------|
| ZONE | REV | DESCRIPTION | E.C.O.NO | DATE | APPROVED |
| | 1 | ENGINEERING RELEASE | | | |

真值表 Truth Table

| Control Voltage TTL Input for 8 bits resolution | | | | | | | | Attenuation |
|---|-------|-------|-------|-------|-------|-------|-------|-------------|
| Bit 8 | Bit 7 | Bit 6 | Bit 5 | Bit 4 | Bit 3 | Bit 2 | Bit 1 | |
| 0 | 0 | 0 | 0 | 0 | 0 | 0 | 0 | Reference |
| 0 | 0 | 0 | 0 | 0 | 0 | 0 | 1 | 0.25 dB |
| 0 | 0 | 0 | 0 | 0 | 0 | 1 | 0 | 0.5 dB |
| 0 | 0 | 0 | 0 | 0 | 1 | 0 | 0 | 1 dB |
| 0 | 0 | 0 | 0 | 1 | 0 | 0 | 0 | 2 dB |
| 0 | 0 | 0 | 1 | 0 | 0 | 0 | 0 | 4 dB |
| 0 | 0 | 1 | 0 | 0 | 0 | 0 | 0 | 8 dB |
| 0 | 1 | 0 | 0 | 0 | 0 | 0 | 0 | 16 dB |
| 1 | 0 | 0 | 0 | 0 | 0 | 0 | 0 | 32 dB |
| 1 | 1 | 1 | 1 | 1 | 1 | 1 | 1 | 64 dB |

LDA-4027

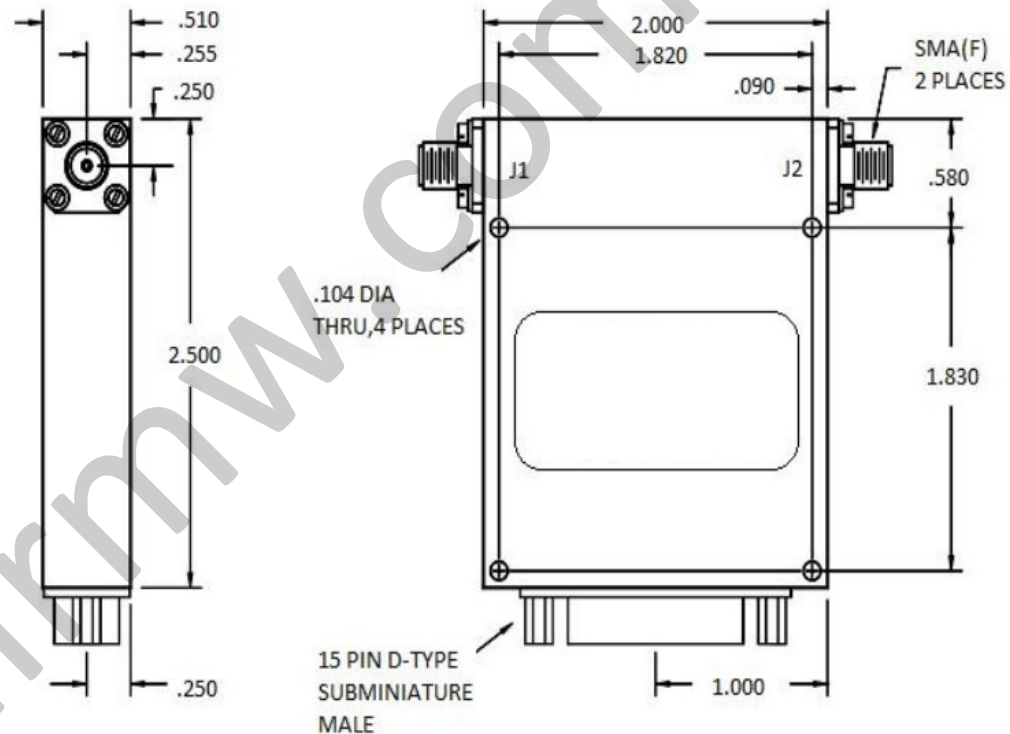
2.0 - 20.0GHz 数控衰减器 Digital Controlled Attenuator

—电气技术参数 Electrical Specifications—

| | |
|-----------------------------------|-----------------|
| 频率范围 Frequency Range: | 2.0 - 20.0GHz |
| 衰减范围 Attenuation Range: | 60dB |
| 插入损耗 Insertion Loss: | 7.8dB Max |
| 输入驻波比 Input VSWR: | 2.0:1 Max |
| 输出驻波比 Output VSWR: | 2.0:1 Max |
| 最小步进 Least Significant Bit (LSB): | 0.25dB |
| 控制逻辑 Control Logic: | TTL |
| 直流供电 Power Supply: | +12V~+15V@150mA |
| 切换时间 Switching Time: | 1us Typ |
| 工作温度 Operating Temperature: | -40 ~ +85°C |
| 存储温度 Storage Temperature: | -55 ~ +125°C |

—机械技术参数 Mechanical Specification—

| | |
|---------------------------------|---------------------|
| 输入连接器 Input Interface: | SMA-F |
| 输出连接器 Out Interface: | SMA-F |
| 尺寸 Size (excluding connectors): | 2.5x2.0x0.51 inches |
| 直流连接器 DC Connector: | D-SUB 15 Pin (Male) |



直流连接器 DC Connector PIN Assignment

| Pin | Function | Pin Definition |
|------|-----------|----------------|
| 1-4 | NC | |
| 5-12 | Bit1-Bit8 | |
| 13 | +VDC | |
| 14 | NC | |
| 15 | GND | |

| | | | | | |
|--|--|---|------|---------------|--------------|
| UNLESS OTHERWISE SPECIFIED DIMENSIONS ARE MILLIMETER TOLERANCES ARE: DECIMALS ANGLES FRACTIONS .XX±0.03 ±1° ±2/5 .XXX±0.012 | | | | P/N: LDA-4027 | |
| | | www.lairmw.com sales@lairmw.com | | | |
| | | 2.0-20.0 GHz 数控衰减器 Digital Controlled Attenuator 最小步进 LSB 0.25dB | | | |
| HOLE DIAMETER .35 TO 3.20 3.21 TO 6.35 6.36 TO 12.70 12.71 TO 19.05 19.06 TO 25.40 25.41 TO 50.80 | TOLERANCES +.05/-02 +.10/-03 +.15/-03 +.20/-03 +.25/-03 +.30/-03 | DRWN | DATE | SIZE | REV |
| | | ENG | | A3 | 1 |
| | | CHK | | CAGE NO | DWG NO. |
| | | Q.A. | | UNIT | SHEET 1 OF 1 |
| | | | | mm | |