

NOTES: UNLESS OTHERWISE SPECIFIED
THIS IS A CAD GENERATED DRAWING, DO NOT REVISE MANUALLY

REVISION HISTORY					
ZONE	REV	DESCRIPTION	E.C.O.NO	DATE	APPROVED
	1	ENGINEERING RELEASE			

真值表 Truth Table

Control Voltage TTL Input for 8 bits resolution								Attenuation
Bit 8	Bit 7	Bit 6	Bit 5	Bit 4	Bit 3	Bit 2	Bit 1	
1	1	1	1	1	1	1	1	Reference
1	1	1	1	1	1	1	0	0.25 dB
1	1	1	1	1	1	0	1	0.5 dB
1	1	1	1	1	0	1	1	1 dB
1	1	1	1	0	1	1	1	2 dB
1	1	1	0	1	1	1	1	4 dB
1	1	0	1	1	1	1	1	8 dB
1	0	1	1	1	1	1	1	16 dB
0	1	1	1	1	1	1	1	32 dB
0	0	0	0	0	0	0	0	64 dB

LDA-4026

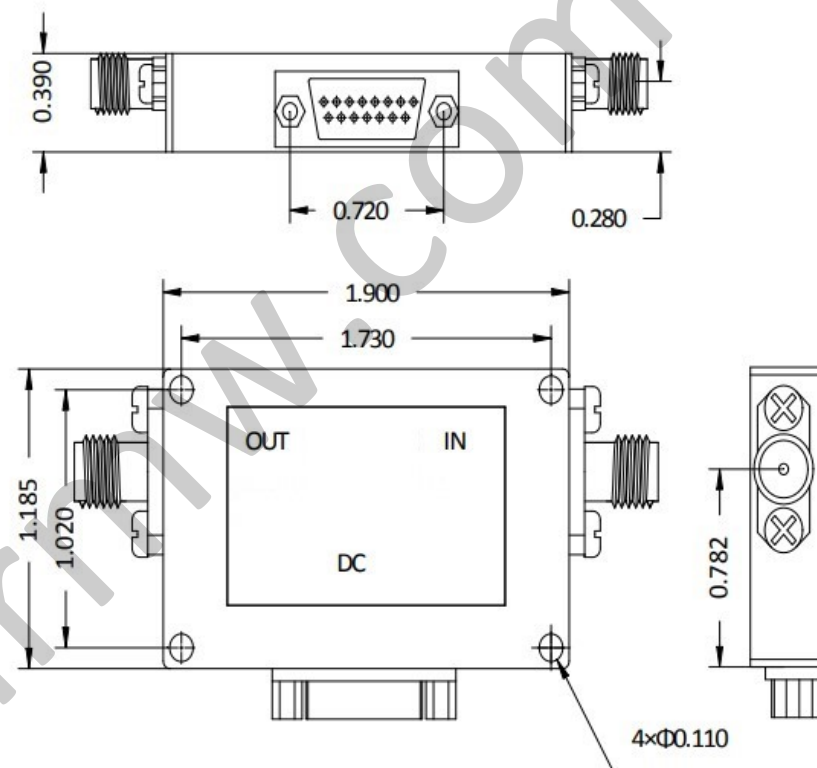
6.0 - 18.0GHz 数控衰减器 Digital Controlled Attenuator

—电气技术参数 Electrical Specifications—

频率范围 Frequency Range:	6.0 - 18.0GHz
衰减范围 Attenuation Range:	64dB
插入损耗 Insertion Loss:	7.5dB Typ
输入驻波比 Input VSWR:	1.5:1 Typ
输出驻波比 Output VSWR:	1.5:1 Typ
最小步进 Least Significant Bit (LSB):	0.25dB
控制逻辑 Control Logic:	TTL
直流供电 Power Supply:	+5V@140mA Typ -5V@140mA Typ
切换时间 Switching Time:	100ns Typ
工作温度 Operating Temperature:	-45 ~ +85°C
存储温度 Storage Temperature:	-55 ~ +125°C

—机械技术参数 Mechanical Specification—

输入连接器 Input Interface:	SMA-F
输出连接器 Out Interface:	SMA-F
尺寸 Size (excluding connectors):	1.89x1.18x0.39 inches
直流连接器 DC Connector:	MICRO-D15-F



直流连接器 DC Connector PIN Assignment

Pin	Function	Pin Definition
1	+5V	
2	GND	
3	-5V	
4-11	Bit1-Bit8	
11-15	GND	

UNLESS OTHERWISE SPECIFIED DIMENSIONS ARE MILLIMETER TOLERANCES ARE: DECIMALS ANGLES FRACTIONS .X±0.1 ±1° ±2/5 .XX±0.03 .XXX±0.012				P/N: LDA-4026			
		www.lairmw.com sales@lairmw.com		6.0-18.0 GHz 数控衰减器 Digital Controlled Attenuator 最小步进 LSB 0.25dB			
HOLE DIAMETER .35 TO 3.20 3.21 TO 6.35 6.36 TO 12.70 12.71 TO 19.05 19.06 TO 25.40 25.41 TO 50.80	TOLERANCES +.05/-0.2 +.10/-0.3 +.15/-0.3 +.20/-0.3 +.25/-0.3 +.30/-0.3	DRWN	DATE	SIZE	CAGE NO.	DWG NO.	REV
		ENG		A3			1
		CHK		SCALE	UNIT	SHEET 1 OF 1	
		Q.A.		3:2	mm		