

NOTES: UNLESS OTHERWISE SPECIFIED
THIS IS A CAD GENERATED DRAWING, DO NOT REVISE MANUALLY

REVISION HISTORY					
ZONE	REV	DESCRIPTION	E.C.O.NO	DATE	APPROVED
	1	ENGINEERING RELEASE			

真值表 Truth Table

Control TTL Input for 6 bits resolution						Attenuation
Bit 6	Bit 5	Bit 4	Bit 3	Bit 2	Bit 1	
0	0	0	0	0	0	Reference
0	0	0	0	0	1	1.0 dB
0	0	0	0	1	0	2.0 dB
0	0	0	1	0	0	4.0 dB
0	0	1	0	0	0	8.0 dB
0	1	0	0	0	0	16.0 dB
1	0	0	0	0	0	31.0 dB
1	1	1	1	1	1	62.0 dB

LDA-402

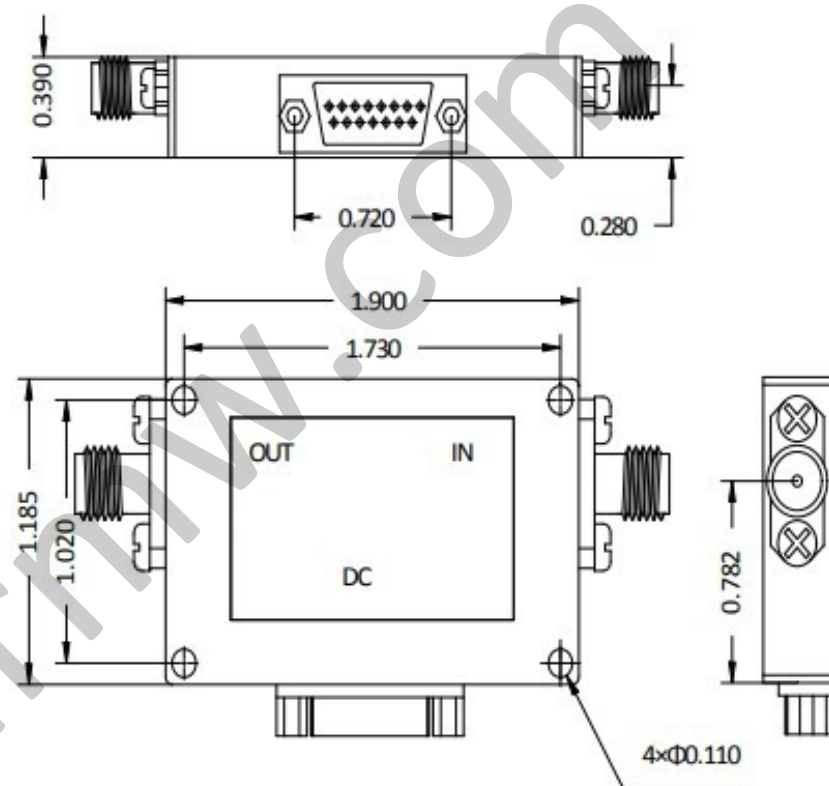
.0 - 18.0GHz 数控衰减器 Digital Controlled Attenuator

—电气技术参数 Electrical Specifications—

频率范围 Frequency Range:	.0 - 18.0GHz
衰减范围 Attenuation Range:	6 dB
插入损耗 Insertion Loss:	dB u
输入驻波比 Input VSWR:	:1 u
输出驻波比 Output VSWR:	:1 Typ
最小步进 Least Significant Bit (LSB):	0.25dB
控制逻辑 Control Logic:	TTL
直流供电 Power Supply:	±5V @140mA
切换时间 Switching Time:	100ns Typ
工作温度 Operating Temperature:	-45 ~ +85°C
存储温度 Storage Temperature:	-55 ~ +125°C

—机械技术参数 Mechanical Specification—

输入连接器 Input Interface:	SMA-F
输出连接器 Out Interface:	SMA-F
尺寸 Size (excluding connectors):	1.89x1.18x0.39 inches
直流连接器 DC Connector:	MICRO-D15-F



直流连接器 DC Connector PIN Assignment

Pin	Function	Pin Definition
1	+5V	
2	GND	
3	-5V	
4-11	Bit1-Bit8	
11-15	GND	

UNLESS OTHERWISE SPECIFIED DIMENSIONS ARE MILLIMETER TOLERANCES ARE: DECIMALS ANGLES FRACTIONS .XX±0.1 ±1' ±2/5 .XXX±0.03 .XXX±0.012				P/N: LDA-4024	
		www.lairmw.com sales@lairmw.com			
		4.0-18.0 GHz 数控衰减器 Digital Controlled Attenuator 最小步进 LSB 0.25dB			
		DRWN	DATE	SIZE	REV
		ENG		A3	1
		CHK		CAGE NO	DWG NO.
		Q.A.		UNIT	SHEET 1 OF 1
HOLE DIAMETER .35 TO 3.20 3.21 TO 6.35 6.36 TO 12.70 12.71 TO 19.05 19.06 TO 25.40 25.41 TO 50.80		TOLERANCES +.05/-02 +.10/-03 +.15/-03 +.20/-03 +.25/-03 +.30/-03		SCALE 3:2	