

NOTES: UNLESS OTHERWISE SPECIFIED  
THIS IS A CAD GENERATED DRAWING, DO NOT REVISE MANUALLY

REVISION HISTORY					
ZONE	REV	DESCRIPTION	E.C.O.NO	DATE	APPROVED
	1	ENGINEERING RELEASE			

真值表 Truth Table

Control Voltage TTL Input for 8 bits resolution								Attenuation
Bit 8	Bit 7	Bit 6	Bit 5	Bit 4	Bit 3	Bit 2	Bit 1	
0	0	0	0	0	0	0	0	Reference
0	0	0	0	0	0	0	1	0.25 dB
0	0	0	0	0	0	1	0	0.5 dB
0	0	0	0	0	1	0	0	1 dB
0	0	0	0	1	0	0	0	2 dB
0	0	0	1	0	0	0	0	4 dB
0	0	1	0	0	0	0	0	8 dB
0	1	0	0	0	0	0	0	16 dB
1	0	0	0	0	0	0	0	32 dB
1	1	1	1	1	1	1	1	64 dB

## LDA-4016

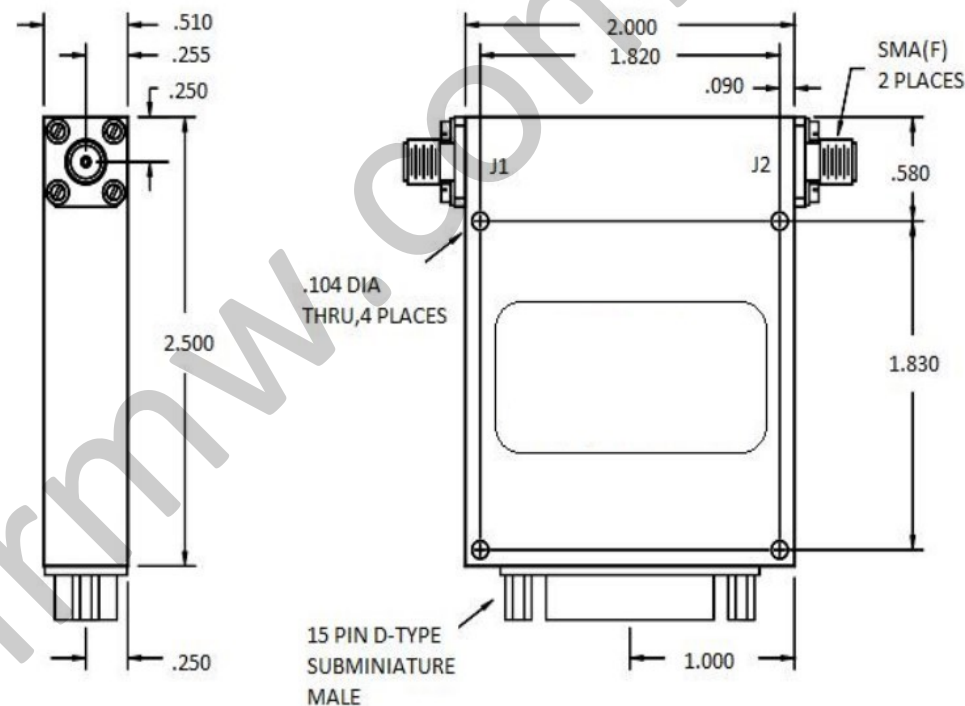
0.6 - 6.0GHz 数控衰减器 Digital Controlled Attenuator

### —电气技术参数 Electrical Specifications—

频率范围 Frequency Range:	0.6 - 6.0GHz
衰减范围 Attenuation Range:	60dB
插入损耗 Insertion Loss:	3.8dB Max
输入驻波比 Input VSWR:	1.8:1 Max
输出驻波比 Output VSWR:	1.8:1 Max
最小步进 Least Significant Bit (LSB):	0.25dB
控制逻辑 Control Logic:	TTL
直流供电 Power Supply:	+12V ~ +15V@150mA -12V ~ -15V@60mA
切换时间 Switching Time:	3us Typ
工作温度 Operating Temperature:	-40 ~ +85°C
存储温度 Storage Temperature:	-55 ~ +125°C

### —机械技术参数 Mechanical Specification—

输入连接器 Input Interface:	SMA-F
输出连接器 Out Interface:	SMA-F
尺寸 Size (excluding connectors):	2.5x2.0x0.51 inches
直流连接器 DC Connector:	D-SUB 15 Pin (Male)



直流连接器 DC Connector PIN Assignment

Pin	Function	Pin Definition
1-4	NC	
5-12	Bit1-Bit8	
13	+VDC	
14	-VDC	
15	GND	

UNLESS OTHERWISE SPECIFIED DIMENSIONS ARE MILLIMETER TOLERANCES ARE: DECIMALS ANGLES FRACTIONS .X±0.1 ±1° ±2/5 .XX±0.03 .XXX±0.012				P/N: LDA-4016	
		www.lairmw.com sales@lairmw.com		0.6-6.0 GHz 数控衰减器 Digital Controlled Attenuator 最小步进 LSB 0.25dB	
HOLE DIAMETER .35 TO 3.20 3.21 TO 6.35 6.36 TO 12.70 12.71 TO 19.05 19.06 TO 25.40 25.41 TO 50.80	TOLERANCES +.05/-02 +.10/-03 +.15/-03 +.20/-03 +.25/-03 +.30/-03	DRWN	DATE	SIZE	REV
		ENG	CHK	A3	1
		Q.A.	SCALE	CAGE NO	DWG NO.
			3:2	UNIT	SHEET 1 OF 1
				mm	