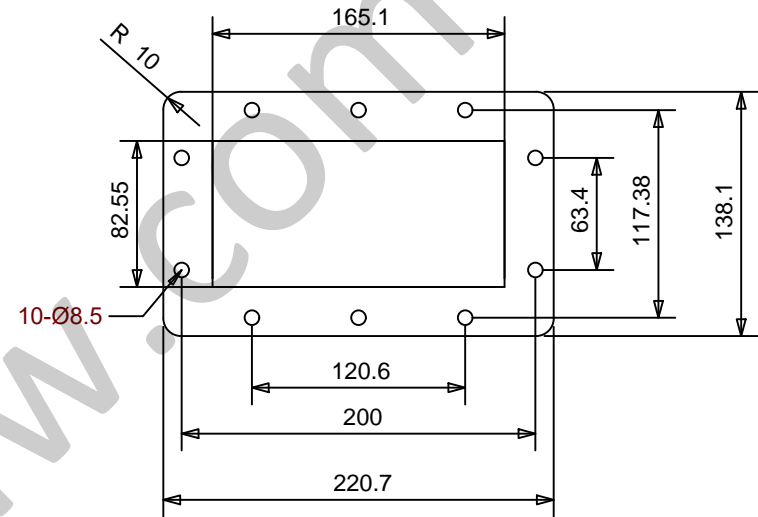
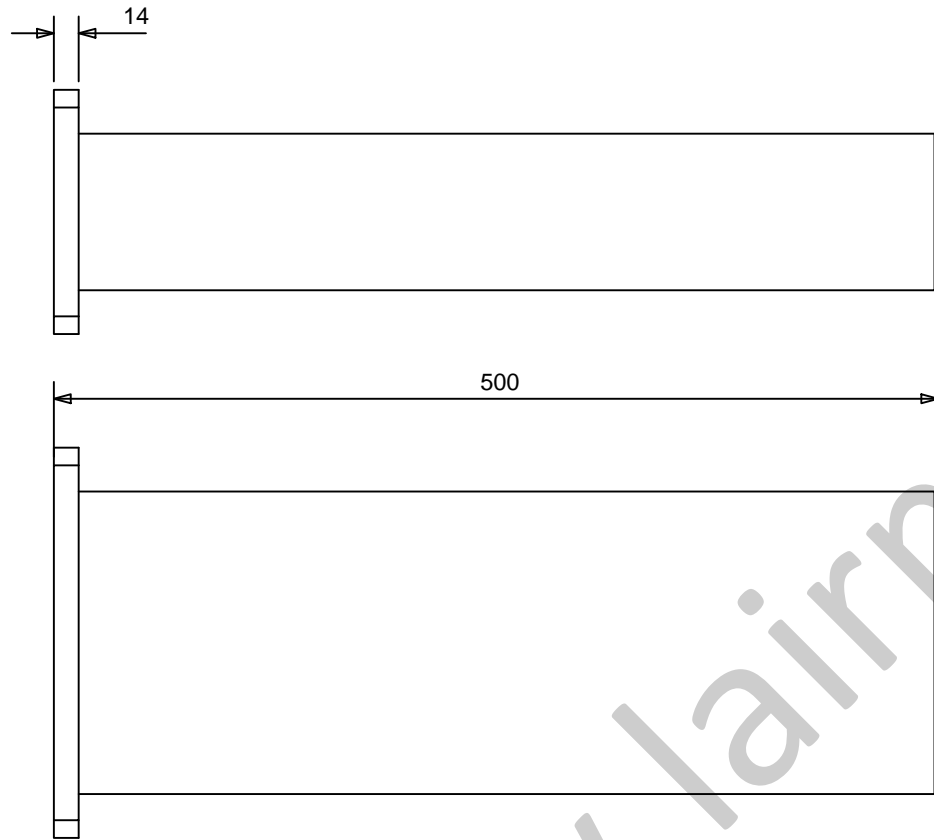


NOTES: UNLESS OTHERWISE SPECIFIED  
THIS IS A CAD GENERATED DRAWING, DO NOT REVISE MANUALLY

REVISION HISTORY					
ZONE	REV	DESCRIPTION	E.C.O.NO	DATE	APPROVED
	1	ENGINEERING RELEASE			



### LBZ-0038

1.13 - 1.73GHz 波导负载 Waveguide Load

—技术参数 Specifications—

工作频率 Frequency Range: 1.13 - 1.73GHz

驻波 VSWR:  $\leq 1.03$

法兰 Flange: /

UNLESS OTHERWISE SPECIFIED DIMENSIONS ARE MILLIMETER TOLERANCES ARE: DECIMALS ANGLES FRACTIONS .XX±0.1 ±1' ±2/5 .XXX±0.03 .XXX±0.012					P/N: LBZ-0038	
	Approvals	DATE	www.lairm.com sales@lairm.com			
HOLE DIAMETER .35 TO 3.20 3.21 TO 6.35 6.36 TO 12.70 12.71 TO 19.05 19.06 TO 25.40 25.41 TO 50.80	TOLERANCES +.05/-02 +.10/-03 +.15/-03 +.20/-03 +.25/-03 +.30/-03	DRWN	波导负载 WAVEGUIDE LOAD			
		ENG	SIZE	CAGE NO	DWG NO.	REV
		CHK	A3			1
		Q.A.	SCALE	UNIT	SHEET 1 OF 1	
			3:2	mm		