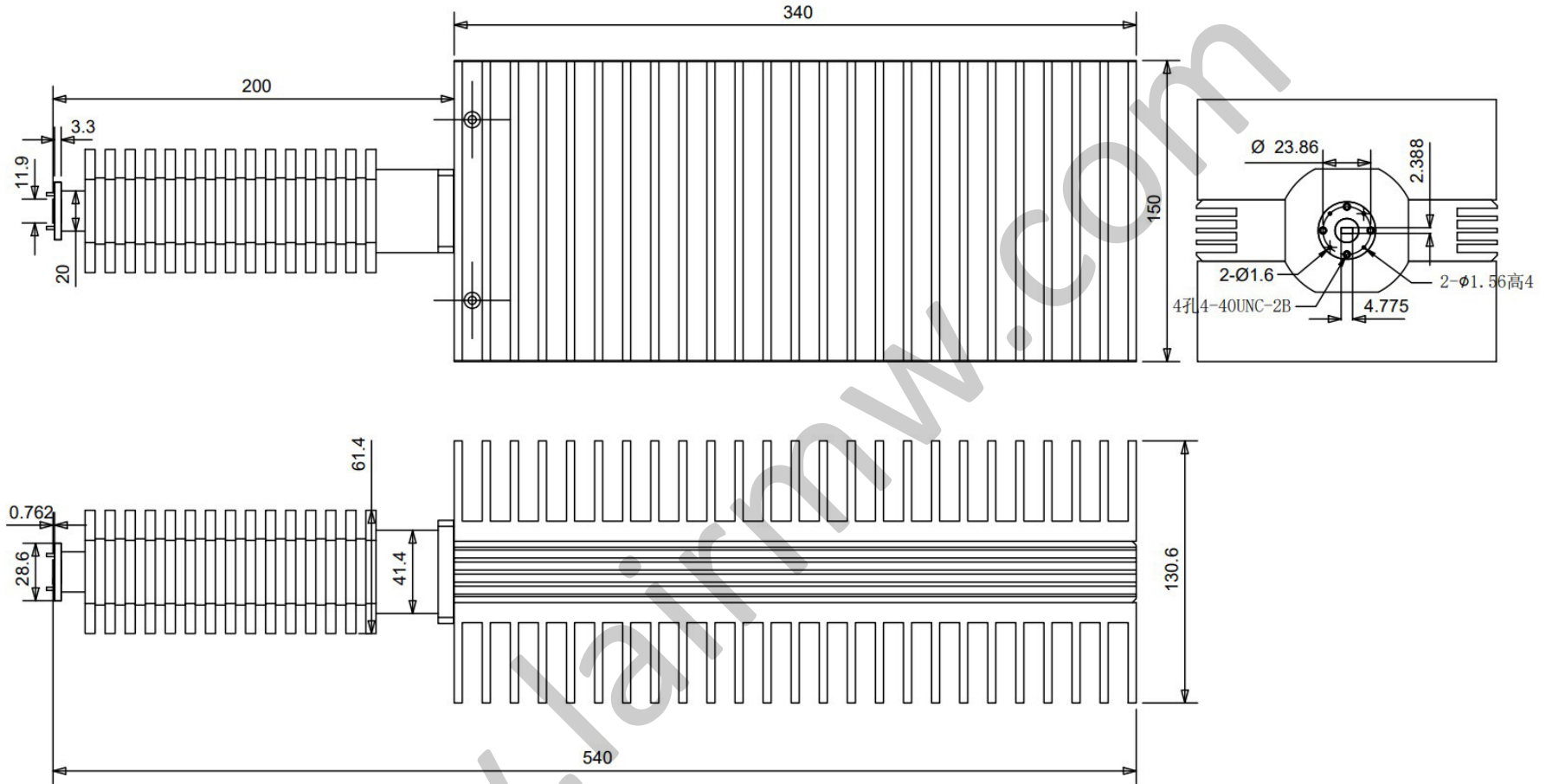


NOTES: UNLESS OTHERWISE SPECIFIED
THIS IS A CAD GENERATED DRAWING, DO NOT REVISE MANUALLY

REVISION HISTORY					
ZONE	REV	DESCRIPTION	E.C.O.NO	DATE	APPROVED
	1	ENGINEERING RELEASE			



LBZ-0037

39.2 - 59.6GHz 波导负载 Waveguide Load

—技术参数 Specifications—

工作频率 Frequency Range: 39.2 - 59.6GHz

驻波 VSWR: ≤ 1.2

平均功率 CW Power: 1.5kW

法兰 Flange: FUGP500

UNLESS OTHERWISE SPECIFIED DIMENSIONS ARE MILLIMETER TOLERANCES ARE: DECIMALS ANGLES FRACTIONS .XX±0.03 ±1' ±2/5 .XXX±0.012				P/N: LBZ-0037			
		www.lairmw.com sales@lairmw.com		波导负载 WAVEGUIDE LOAD			
HOLE DIAMETER .35 TO 3.20 3.21 TO 6.35 6.36 TO 12.70 12.71 TO 19.05 19.06 TO 25.40 25.41 TO 50.80	TOLERANCES +.05/-0.02 +.10/-0.03 +.15/-0.03 +.20/-0.03 +.25/-0.03 +.30/-0.03	Approvals	DATE	SIZE A3	CAGE NO	DWG NO.	REV 1
		DRWN		SCALE 3:2	UNIT mm	SHEET 1 OF 1	