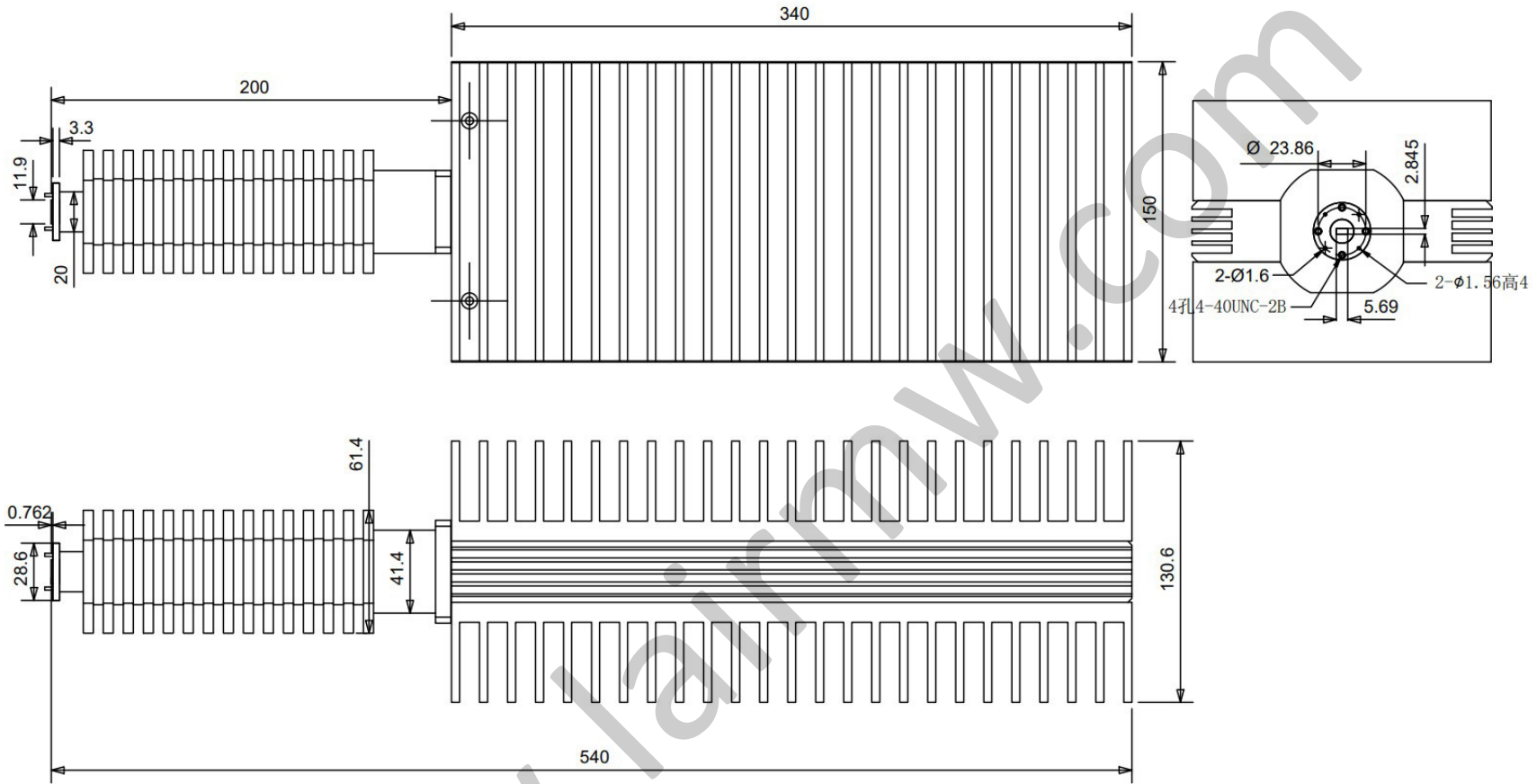


NOTES: UNLESS OTHERWISE SPECIFIED
THIS IS A CAD GENERATED DRAWING, DO NOT REVISE MANUALLY

REVISION HISTORY					
ZONE	REV	DESCRIPTION	E.C.O.NO	DATE	APPROVED
	1	ENGINEERING RELEASE			



LBZ-0036

32.9 - 50.1GHz 波导负载 Waveguide Load

—技术参数 Specifications—

工作频率 Frequency Range: 32.9 - 50.1GHz

驻波 VSWR: ≤1.2

平均功率 CW Power: 1.5kW

法兰 Flange: FUGP400

UNLESS OTHERWISE SPECIFIED DIMENSIONS ARE MILLIMETER TOLERANCES ARE: DECIMALS ANGLES FRACTIONS .XX±0.03 ±1' ±2/5 .XXX±0.012					P/N: LBZ-0036		
	Approvals		DATE		www.lairmw.com sales@lairmw.com		
DRWN		ENG		Q.A.		波导负载 WAVEGUIDE LOAD	
HOLE DIAMETER .35 TO 3.20 3.21 TO 6.35 6.36 TO 12.70 12.71 TO 19.05 19.06 TO 25.40 25.41 TO 50.80		TOLERANCES +.05/-02 +.10/-03 +.15/-03 +.20/-03 +.25/-03 +.30/-03		SIZE A3	CAGE NO	DWG NO.	REV 1
				SCALE 3:2	UNIT mm	SHEET 1 OF 1	