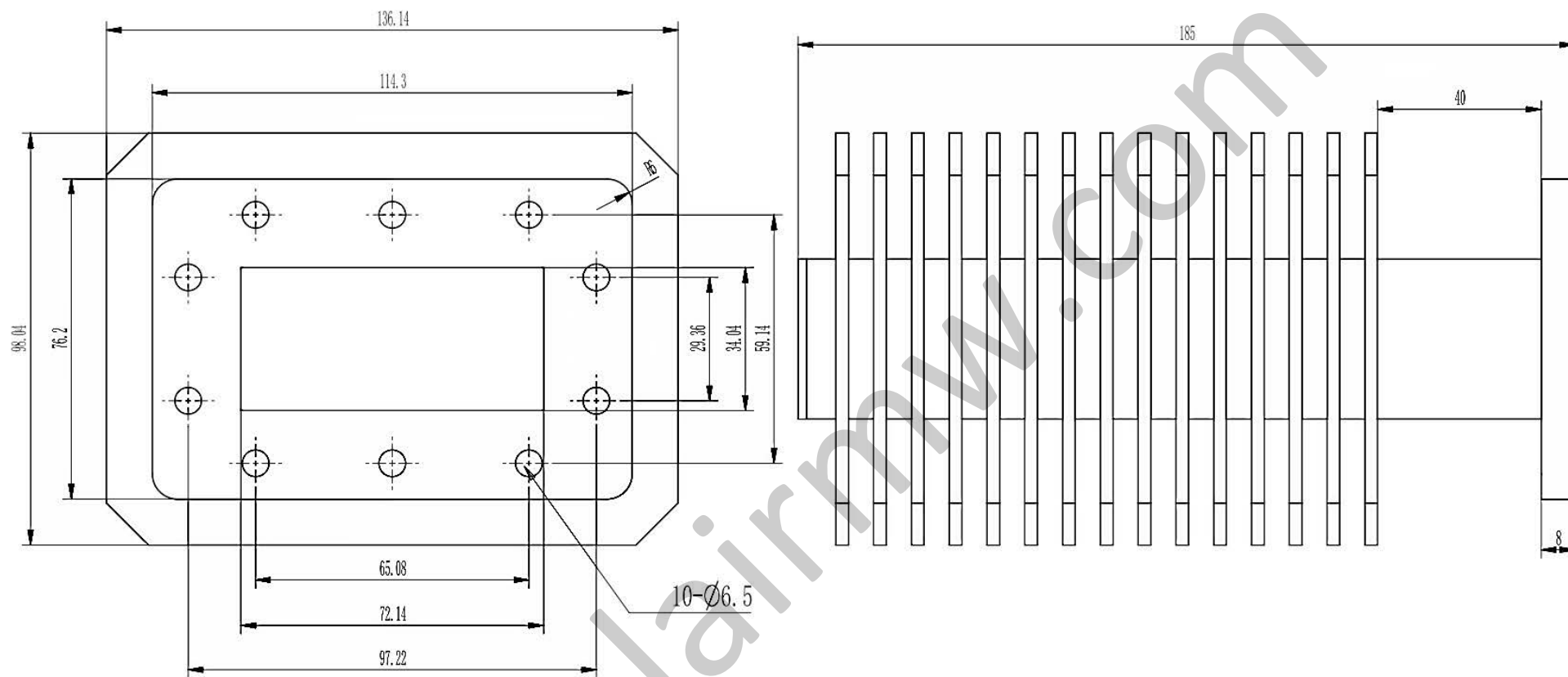


NOTES: UNLESS OTHERWISE SPECIFIED  
THIS IS A CAD GENERATED DRAWING, DO NOT REVISE MANUALLY

REVISION HISTORY					
ZONE	REV	DESCRIPTION	E.C.O.NO	DATE	APPROVED
	1	ENGINEERING RELEASE			



## LBZ-0007

2.6 - 3.95GHz 波导负载 Waveguide Load

### —技术参数 Specifications—

工作频率 Frequency Range: 2.6 - 3.95GHz

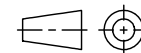
驻波 VSWR: ≤1.2

平均功率 CW Power: 500W

法兰 Flange: FDP32

UNLESS OTHERWISE SPECIFIED  
DIMENSIONS ARE MILLIMETER  
TOLERANCES ARE:  
DECIMALS ANGLES FRACTIONS  
.XX±0.1 ±1' ±2/5  
.XXX±0.03  
.XXX±0.012

HOLE DIAMETER	TOLERANCES
.35 TO 3.20	+05/-02
3.21 TO 6.35	+10/-03
6.36 TO 12.70	+15/-03
12.71 TO 19.05	+20/-03
19.06 TO 25.40	+25/-03
25.41 TO 50.80	+30/-03



Approvals	DATE
DRWN	
ENG	
CHK	
Q.A.	

莱尔微波  
Laird Microwave  
www.lairmw.com sales@lairmw.com

P/N: LBZ-0007

波导负载 WAVEGUIDE LOAD

SIZE	CAGE NO	DWG NO.	REV
A3			1
SCALE 3:2	UNIT mm	SHEET 1 OF 1	