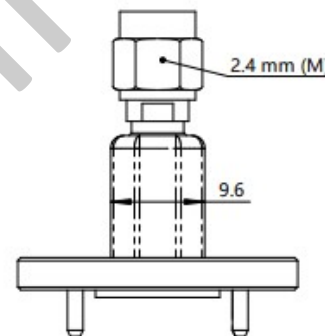
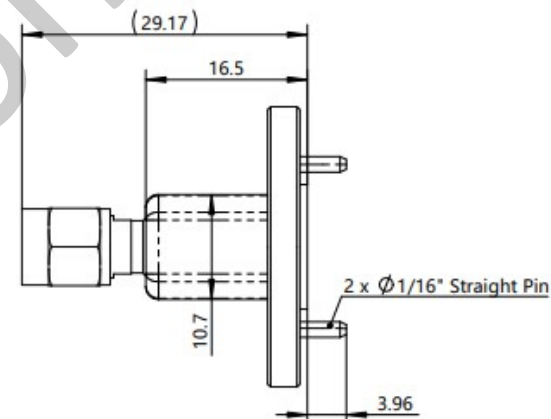
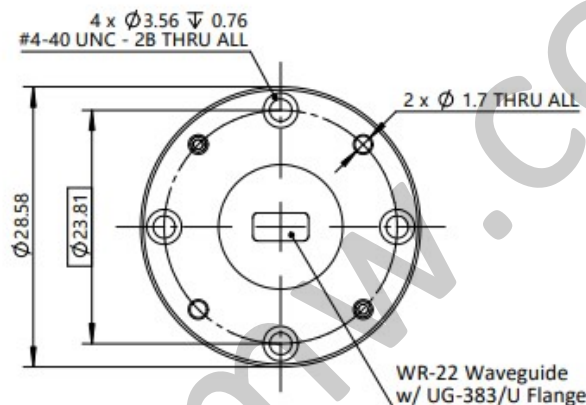
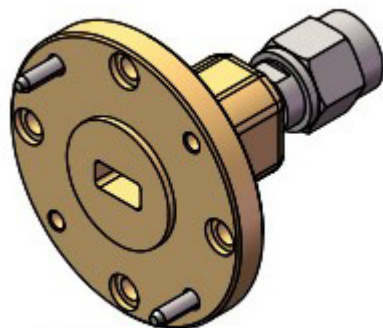


NOTES: UNLESS OTHERWISE SPECIFIED  
THIS IS A CAD GENERATED DRAWING, DO NOT REVISE MANUALLY

REVISION HISTORY					
ZONE	REV	DESCRIPTION	E.C.O.NO	DATE	APPROVED
	1	ENGINEERING RELEASE			



## LBT-2008

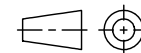
33 - 50GHz 波同转换器 Waveguide to Coax Adapter

### —技术参数 Specifications—

工作频率 Frequency Range:	33-50GHz
驻波 VSWR:	1.33(Typ.)
插入损耗 Insertion Loss:	0.5dB(Typ.)
功率 Power:	20W(CW)
波导端口 Waveguide Port:	WR-22, UG383/U 法兰盘
同轴端口 Coaxial Port:	2.4mm(M)
工作温度 Operation Temperature:	-40 °C ~ +85 °C
重量 Weight:	11.0g

UNLESS OTHERWISE SPECIFIED  
DIMENSIONS ARE MILLIMETER  
TOLERANCES ARE:  
DECIMALS ANGLES FRACTIONS  
.XX±0.1 ±1' ±2/5  
.XXX±0.03  
.XXX±0.012

HOLE DIAMETER	TOLERANCES
.35 TO 3.20	+05/-02
3.21 TO 6.35	+10/-03
6.36 TO 12.70	+15/-03
12.71 TO 19.05	+20/-03
19.06 TO 25.40	+25/-03
25.41 TO 50.80	+30/-03



Approvals

DATE

DRWN

ENG

CHK

Q.A.



www.lairmw.com sales@lairmw.com

P/N: LBT-2008

波同转换器 Waveguide to Coax Adapter

SIZE	CAGE NO	DWG NO.	REV
A3			1
SCALE	UNIT	SHEET 1 OF 1	
3:2	mm		