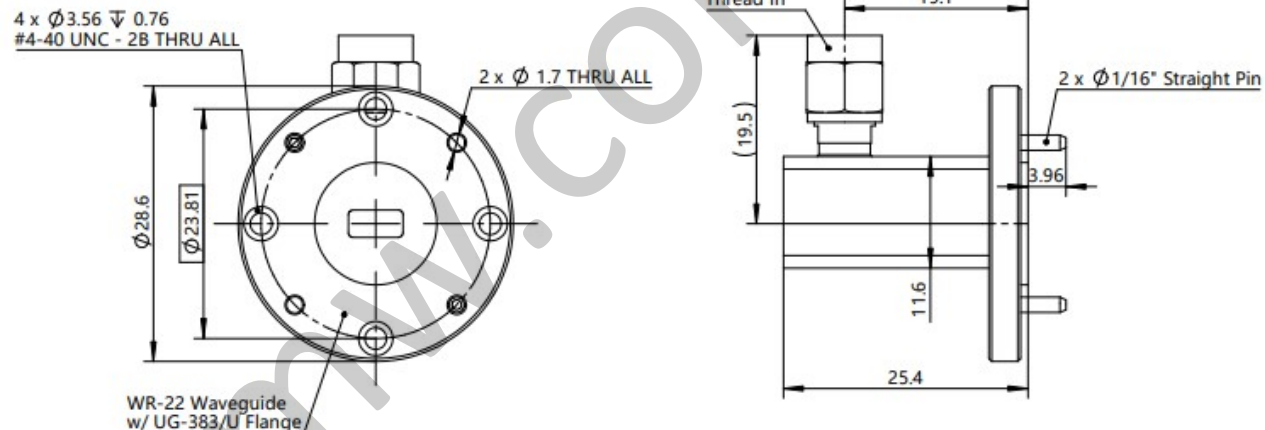
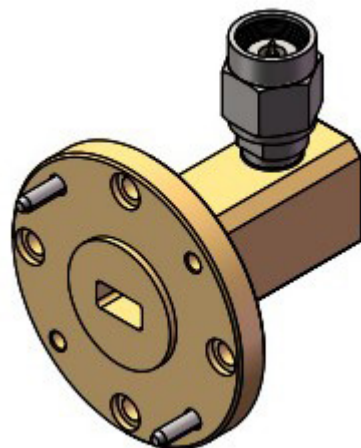


NOTES: UNLESS OTHERWISE SPECIFIED
THIS IS A CAD GENERATED DRAWING, DO NOT REVISE MANUALLY

REVISION HISTORY					
ZONE	REV	DESCRIPTION	E.C.O.NO	DATE	APPROVED
	1	ENGINEERING RELEASE			

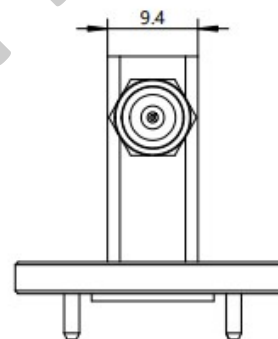


LBT-2006

33 - 50GHz 波同转换器 Waveguide to Coax Adapter

—技术参数 Specifications—

工作频率 Frequency Range:	33-50GHz
驻波 VSWR:	1.2(Typ.)
插入损耗 Insertion Loss:	0.35dB(Typ.)
功率 Power:	20W(CW)
波导端口 Waveguide Port:	WR-22, UG383/U 法兰盘
同轴端口 Coaxial Port:	2.4mm(M)
工作温度 Operation Temperature:	-40 °C ~ +85 °C
重量 Weight:	14.0g



UNLESS OTHERWISE SPECIFIED DIMENSIONS ARE MILLIMETER TOLERANCES ARE: DECIMALS ANGLES FRACTIONS .XX±0.1 ±1' ±2/5 .XXX±0.012				P/N: LBT-2006	
		www.lairmw.com sales@lairmw.com		波同转换器 Waveguide to Coax Adapter	
HOLE DIAMETER .35 TO 3.20 3.21 TO 6.35 6.36 TO 12.70 12.71 TO 19.05 19.06 TO 25.40 25.41 TO 50.80	TOLERANCES +.05/-02 +.10/-03 +.15/-03 +.20/-03 +.25/-03 +.30/-03	Approvals	DATE	SIZE	REV
		DRWN		A3	1
		ENG		CAGE NO	DWG NO.
		CHK		UNIT	SHEET 1 OF 1
		Q.A.		3:2	mm